

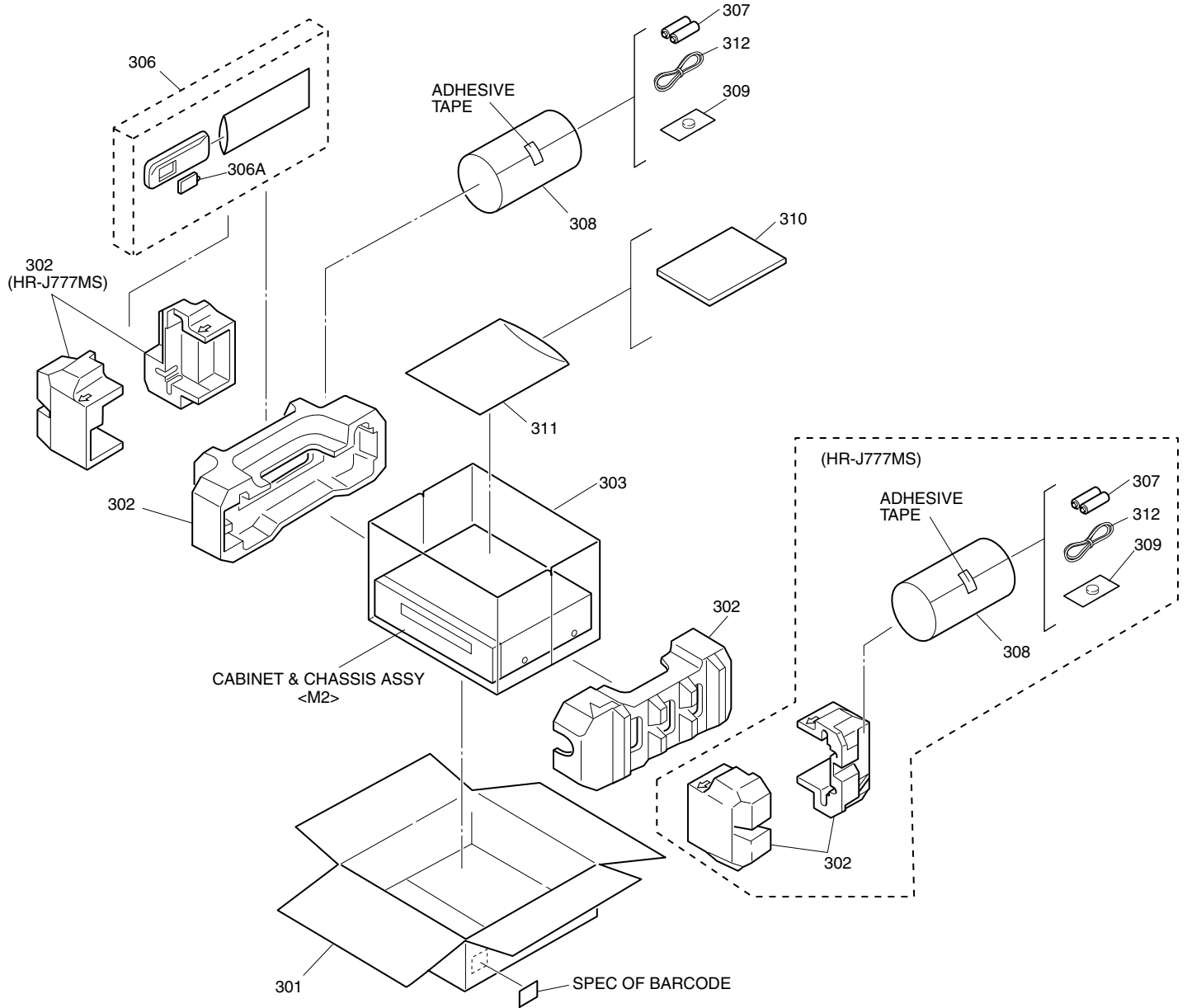
# SECTION 5 PARTS LIST

## SAFETY PRECAUTION

Parts identified by the  $\triangle$  symbol are critical for safety. Replace only with specified part numbers.

### 5.1 PACKING AND ACCESSORY ASSEMBLY <M1>

The instruction manual to be provided with this product will differ according to the destination.

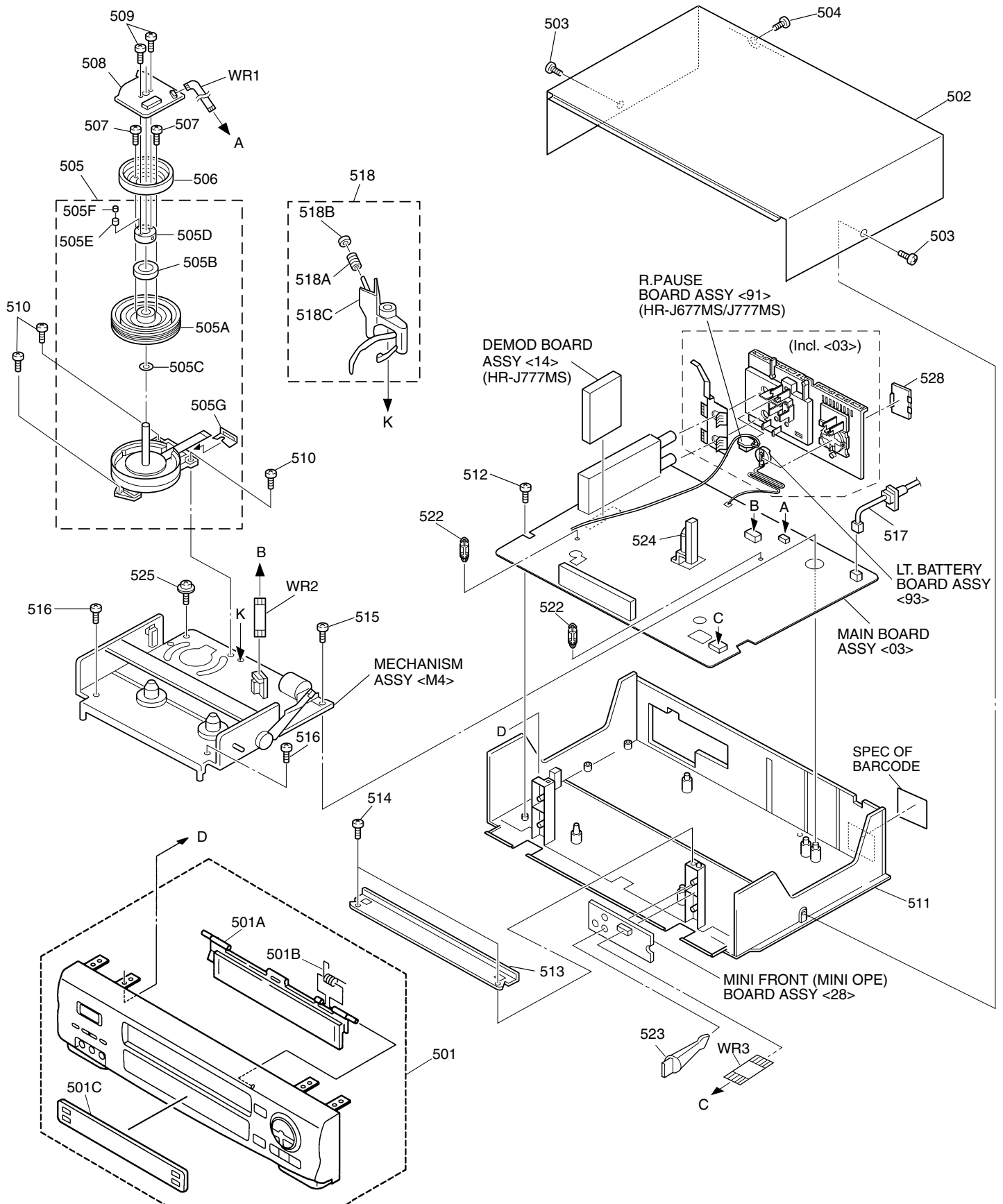


# $\triangle$	REF No.	PART No.	PART NAME, DESCRIPTION	# $\triangle$	REF No.	PART No.	PART NAME, DESCRIPTION
*****							
<b>PACKING AND ACCESSORY ASSEMBLY &lt;M1&gt;</b>							
	301	LP30658-027A	PACKING CASE,J677MS		306	LP20878-008A	REMOTE CONTROLLER
		LP30670-022A	PACKING CASE,J271MS		306A	LP40610-002A	COVER(BATTERY)
		LP30738-001B	PACKING CASE,J777MS		307	-	BATTERY,X2("R6"TYPE)
		LP30670-020A	PACKING CASE,J471MS		308	QPC02202230P	POLY BAG
	302	LP30355-001D	CUSHION ASSY,J777MS	$\triangle$	309	PECA0903	LI BATTERY
		LP30671-001C	CUSHION ASSY,J271MS/J471MS	$\triangle$	310	LPT0421-001A	INST.BOOK(EN.CH),J271MS
		LP30718-001A	CUSHION ASSY,J677MS	$\triangle$		LPT0421-002A	INST.BOOK(RU.AR),J271MS
	303	PQM30021-92	POLY BAG,J271MS/J471MS	$\triangle$		LPT0422-001A	INST.BOOK(EN.CH),J471MS
		PQM30021-93	POLY BAG,J677MS/J777MS	$\triangle$		LPT0422-002A	INST.BOOK(RU.AR),J471MS
				$\triangle$		LPT0425-001A	INST.BOOK(EN.CH),J677MS/J777MS
				$\triangle$		LPT0425-002A	INST.BOOK(RU.AR),J677MS/J777MS
					311	QPC02503530P	POLY BAG
					312	PEAC0348-02	RF CABLE

## 5.2 CABINET AND CHASSIS ASSEMBLY <M2>

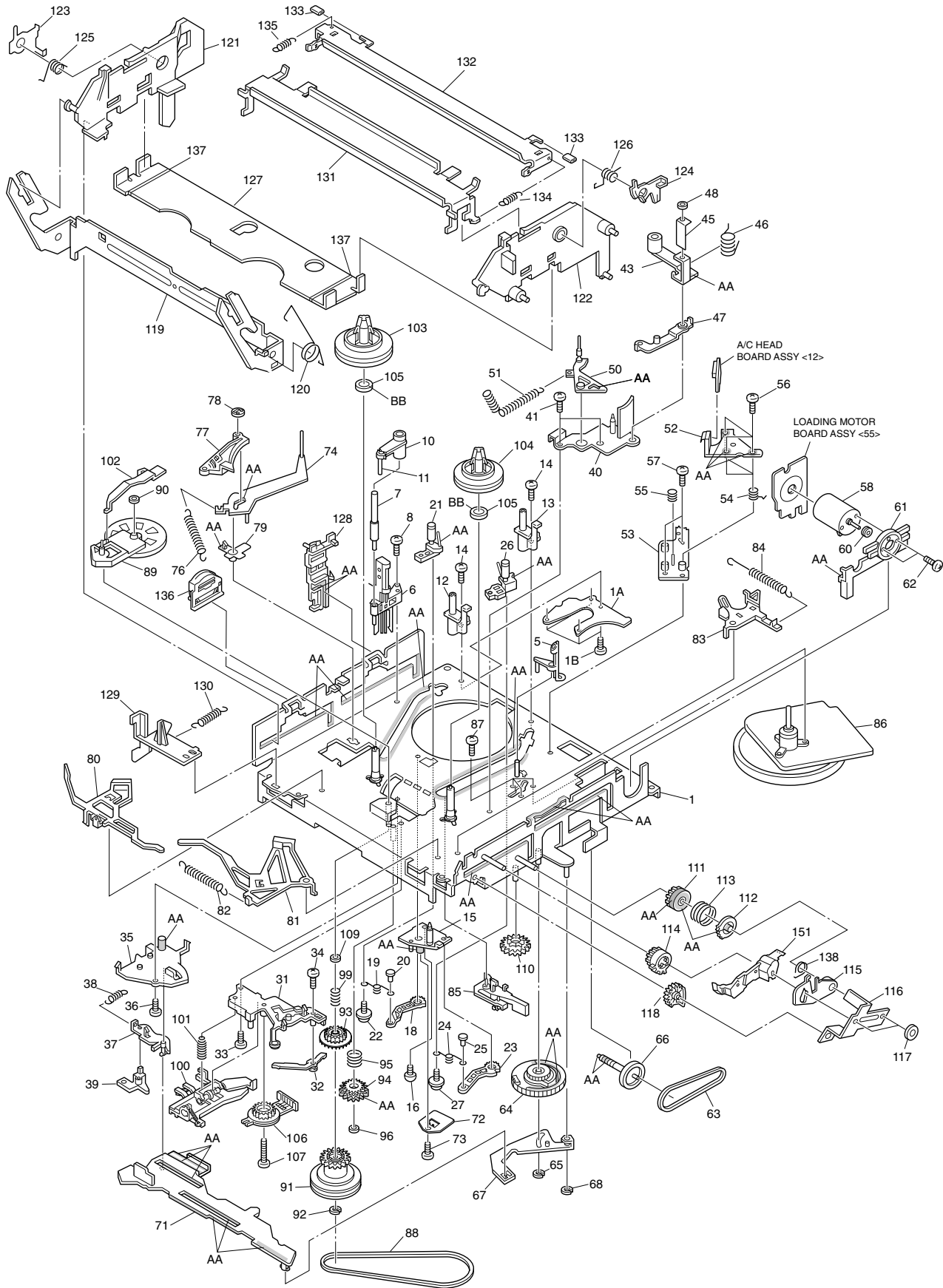
### BEWARE OF BOGUS PARTS

*Parts that do not meet specifications may cause trouble in regard to safety and performance. We recommend that genuine JVC parts be used.*



#	△	REF No.	PART No.	PART NAME, DESCRIPTION	#	△	REF No.	PART No.	PART NAME, DESCRIPTION
*****									
<b>CABINET AND CHASSIS ASSEMBLY &lt;M2&gt;</b>									
△		501	LP10289-037B	FRONT PANEL ASSY,J777MS					
△			LP10289-040B	FRONT PANEL ASSY,J677MS					
△			LP10293-015B	FRONT PANEL ASSY,J471MS					
△			LP10293-020B	FRONT PANEL ASSY,J271MS					
		501A	LP20868-016A	CASSETTE DOOR,J777MS					
			LP20868-018A	CASSETTE DOOR,J677MS					
			LP20868-019A	CASSETTE DOOR,J471MS					
			LP20868-024A	CASSETTE DOOR,J271MS					
		501B	PQ46448	TORSION SPRING					
		501C	LP20869-051A	DISPLAY WINDOW,J777MS					
			LP20869-053A	DISPLAY WINDOW,J677MS					
			LP20869-054A	DISPLAY WINDOW,J471MS					
			LP20869-064A	DISPLAY WINDOW,J271MS					
△		502	LP10013-027C	TOP COVER,J677MS					
△			LP10013-031C	TOP COVER,J777MS					
△			PQ11898-38-18	TOP COVER,J271MS/J471MS					
		503	QYTDSF3010M	SCREW,X2 TOP COVER(SIDE),J271MS/J471MS/J677MS					
			QYTDSF3010R	SCREW,X2 TOP COVER(SIDE),J777MS					
		504	QYTDSF3010M	SCREW,TOP COVER(REAR)					
		505	LP20617-002A	DRUM SUB ASSY,J677MS/J777MS					
			LP20617-004A	DRUM SUB ASSY,J471MS					
			LP20617-005A	DRUM SUB ASSY,J271MS					
		505A	LP20084-003A	UPPER DRUM ASSY,J271MS					
			LP20084-006A	UPPER DRUM ASSY,J471MS					
			LP20616-002A	UPPER DRUM ASSY,J677MS/J777MS					
		505B	PDM4439	CAP					
		505C	PDM4444-19-2	WASHER					
		505D	LP40572-001A	COLLAR ASSY					
		505E	LP40323-001A	CONTACT					
		505F	LP30004-014A	COMPRESSION SPRING					
		505G	LP40174-001B	FPC PLATE					
		506	PDZ0179-1-4	ROTOR ASSY					
		507	QYSPSP3006Z	SCREW,X2					
△		508	QAR0119-001	STATOR ASSY					
		509	QYSPSPH2606Z	SCREW,X2					
		510	QYTDST2610Z	SCREW,X3 DRUM					
△		511	LP10108-009C	BOTTOM CHASSIS,J677MS/J777MS					
△			LP20262-003H	BOTTOM CHASSIS,J271MS/J471MS					
		512	QYTDSF3010Z	SCREW,MAIN					
		513	LP30312-001B	BRACKET(CHASSIS)					
		514	QYTDSF3010Z	SCREW,X2					
		515	QYTDSF4012Z	SCREW,MECHA					
		516	QYTDSF3010Z	SCREW,X2 MECHA					
△		517	QMP4A10-170	POWER CORD					
		518	LP40369-001D	CLEANER ASSY					
		518A	PQ46418-1-2	CLEANER ROLLER					
		518B	PQ46419-1-2	CLEANER					
		518C	LP30407-001D	CLEANER ARM					
		522	LP40226-001A	PC SUPPORT,X2					
		523	LP40628-001B	PC SUPPORT,FRONT					
		524	LP40253-001B	STOPPER					
		525	PQ40413	SPECIAL SCREW,MECHA					
		528	LP30336-001A	CAP,LT BATTERY					
		WR1	QUQ212-0518CG	FFC WIRE,DRUM CN3001					
		WR2	WJT0005-002A	E-CARD WIRE,A/C HEAD CN2001					
		WR3	QUQ112-0914CG	FFC WIRE,FRONT					

### 5.3 MECHANISM ASSEMBLY <M4>



Classification	Part No.	Symbol in drawing
Grease	KYODO-SH-P	AA
Oil	COSMO-HV56	BB

**NOTE:**The section marked in **AA** and **BB** indicate lubrication and greasing areas.

#	△	REF No.	PART No.	PART NAME, DESCRIPTION	#	△	REF No.	PART No.	PART NAME, DESCRIPTION
*****									
<b>MECHANISM ASSEMBLY &lt;M4&gt;</b>									
1		LP20821-002F		MAIN DECK ASSY	72		LP40379-001B		CTL BRACKET(1)
1A		LP40275-004B		PLATE(SUPPLY)	73		QYTDST2608M		SCREW
1B		QYTDST2605Z		SCREW,X4 PLATE(SUPPLY)	74		LP40108-002A		TENSION ARM ASSY
5		LP30492-002B		GIDE POLE GUARD	76		LP30003-010A		TENSION SPRING
6		NAH0001-001		FULL ERASE HEAD	77		LP40109-003D		TENSION BRAKE ASSY
7		LP40098-001B		GUIDE POLE(SUPPLY)	78		PQ46302-1-3		ADJUST PIN
8		QYTDST2608Z		SCREW,FE HEAD	79		LP30232-002A		TENSION ARM BEARING
10		LP30459-002A		TENSION STUD BASE	80		LP40532-008A		MAIN BRAKE ASSY (SUPPLY)
11		LP40367-002A		TENSION STUD	81		LP40111-011A		MAIN BRAKE ASSY (TAKE UP)
12		LP30409-002C		UV CATCHER 2(SUPPLY)	82		LP30003-026A		TENSION SPRING
11		LP40636-001A		T.STUD BASE BKT	83		LP40112-001F		SUB BRAKE ASSY(TAKE UP)
13		LP30409-002C		UV CATCHER 2(TAKE UP)	84		LP40357-002A		TENSION SPRING
14		QYTPST2606Z		SCREW,X2 UV CATCHER	85		LP40461-001A		CAPSTAN BRAKE ASSY
15		LP30223-003C		LOADING ARM GEA SHAFT	86		QAR0087-004		CAPSTAN MOTOR
16		QYTDST2606Z		SCREW	87		QYTDST2606M		SCREW,X3
18		LP30224-001A		LOADING ARM GEAR(SPPLY)	88		LP30005-007A		BELT,CAPSTAN MOTOR
19		LP40099-001A		TORSION ARM	89		LP40114-008A		IDLER ARM ASSY
20		LP40100-001A		PIN	90		LP30016-001A		SLIT WASHER
21		LP40101-006A		POLE BASE ASSY(SUPPLY)	91		LP40593-001A		CLUTCH UNIT 3
22		QYSPSTG2606Z		SCREW	92		PQM30017-47		SLIT WASHER
23		LP40103-002B		LOADING ARM GEAR(TAKE UP)	93		LP40446-002B		CLUTCH GEAR 1
24		LP40099-001A		TORSION ARM	94		LP40442-001A		DIRECT GEAR
25		LP40100-001A		PIN	95		LP40483-002A		COMPRESSION SPRING
26		LP40104-006A		POLE BASE ASSY(TAKE UP)	96		LP30016-001A		SLIT WASHER
27		QYSPSTG2606Z		SCREW	99		LP40554-001A		COMPRESSION SPRING
31		LP20233-004B		ROTARY ENCODER GUIDE	100		LP40484-001J		CHANGE LEVER ASSY
32		LP30499-001C		BRAKE LEVER	101		LP40512-002B		COMPRESSION SPRING
33		QYTPST2606Z		SCREW	102		LP30236-002B		IDLER LEVER
34		QYTPST2608Z		SCREW	103		LP20237-001B		REEL DISK (SUPPLY)
35		LP30226-004D		CONTROL PLATE GUIDE	104		LP20238-001B		REEL DISK (TAKE UP)
36		QYTPST2605Z		SCREW	105		LP30017-015A		SPACER
37		LP30249-003B		TAKE UP LEVER	106		QSW0554-003		ROTARY ENCODER
38		LP30003-006A		TENSION SPRING	107		QYTPST2620Z		SCREW,ROTARY ENCODER
39		LP40119-002A		TAKE UP HEAD	109		LP30017-019A		SPACER,C.GEAR 1
40		LP20234-004B		LID GUIDE	110		LP30237-002B		CASSETTE GEAR
41		QYTDST2606Z		SCREW,X2	111		LP30239-002G		LIMIT GEAR(1)
43		LP40105-002A		PINCH ROLLER ARM ASSY	112		LP30240-002G		LIMIT GEAR(2)
45		LP40478-001A		PINCH ROLLER SHEET2	113		LP40136-001E		TORSION SPRING
46		LP40148-002A		TORSION SPRING	114		LP30242-002A		RELAY GEAR
47		LP40149-001C		PRESS LEVER ASSY	115		LP30339-002E		OPENER GUIDE
48		LP30016-002A		SLIT WASHER	116		LP40214-001B		C.H.BRACKET
50		LP40106-002E		GUIDE ARM ASSY	117		PQM30017-47		SLIT WASHER,X2
51		LP40134-001C		TENSION SPRING	118		LP30243-001D		DRIVE GEAR
52		QAH0010-004		AC HEAD	119		LP20240-001D		DRIVE ARM
53		LP30228-001A		HEAD BASE	120		LP40137-001A		TORSION SPRING
54		LP30004-013A		COMPRESSION SPRING,X3	121		LP10081-002L		SIDE HOLDER(L)
55		LP40236-001A		COMPRESSION SPRING	122		LP10082-002M		SIDE HOLDER(R)
56		LP40213-002B		SPECIAL SCREW,X3	123		LP30255-006A		LOCK LEVER(L)
57		QYTDST2608Z		SCREW,X2	124		LP30256-001H		LOCK LEVER(R)
58		QAR0023-001		LOADING MOTOR	125		LP40168-001A		TORSION SPRING(L)
60		PQ43546-1-2		MOTOR PULLEY	126		LP40218-001B		TORSION SPRING(R)
61		LP30230-001B		MOTOR GUIDE	127		LP30257-001G		CASSETTE HOLDER
62		QYTPSP3003Z		SCREW,X2	128		LP30244-002G		GUIDE RAIL
63		LP30005-003A		BELT,LOADING MOTOR	129		LP30245-002E		REC SAFETY LEVER
64		LP20791-002C		CONTROL CAM	130		LP30003-004A		TENSION SPRING
65		PQM30017-24		SLIT WASHER	131		LP20578-001C		TOP GUIDE
66		LP40120-001A		WORM GEAR	132		LP30500-001C		HOLD PLATE
67		LP40107-002A		LINK LEVER ASSY	133		LP40450-003A		PAD,X2 HOLD PLATE
68		PQM30017-24		SLIT WASHER	134		LP30003-025B		TENSION SPRING
71		LP10201-003C		CONTROL PLATE	135		LP30003-024A		TENSION SPRING
					136		LP40481-003A		ROLLER CAM ASSY
					137		LP30019-014A		PAD,X2 CASSETTE HOLDER
					138		LP40545-001A		TORSION SPRING,OPENER GUIDE
					151		LP20324-003A		DOOR OPENER

## 5.4 ELECTRICAL PARTS LIST

#	△ REF No.	PART No.	PART NAME, DESCRIPTION
*****			
<b>MAIN BOARD ASSEMBLY(HR-J271MS/J471MS)&lt;03&gt;</b>			
PW1		LPA10088-34D1	MAIN BOARD ASSY,J271MS
		LPA10088-32D1	MAIN BOARD ASSY,J471MS
IC1		JCP8021-MVD-2	IC
IC3001		MN101D02GJW	IC
		or MN101DP02JAFJW	IC
IC3002		BA6956AN	IC
IC3003		S-80823ANUP-W	IC
		or R3111H231A	IC
IC3004		M24C04-BN6	IC
		or 24LC04B/P	IC
		or AT24C04-10PC	IC
		or BR24C04W	IC
IC5301		LA5613	IC
IC7001		M35500BGP	IC
		or M35500AGP	IC
IC7002		GP1U291Q	IR DETECT UNIT
		or PNA4652M00YC	IR DETECT UNIT
		or PIC-28143LJ	IR DETECT UNIT
Q12		2SA1576A/QR/-X	TRANSISTOR
		or 2SB1218A/QR/-X	TRANSISTOR
		or 2PA1576/R/-X	TRANSISTOR
Q22		2SC4081/QRS/-X	TRANSISTOR
		or 2SD1819A/QRS/-X	TRANSISTOR
		or 2PC4081/R/-X	TRANSISTOR
Q38		2SC4081/QRS/-X	TRANSISTOR
		or 2PC4081/R/-X	TRANSISTOR
		or 2SD1819A/QRS/-X	TRANSISTOR
Q39		DTC144WU	TRANSISTOR
		or RN1309	TRANSISTOR
		or UN521E	TRANSISTOR
		or PDTC144WU	TRANSISTOR
Q40		DTC144WU	TRANSISTOR
		or PDTC144WU	TRANSISTOR
		or UN521E	TRANSISTOR
		or RN1309	TRANSISTOR
Q41		DTC144WU	TRANSISTOR
		or RN1309	TRANSISTOR
		or UN521E	TRANSISTOR
		or PDTC144WU	TRANSISTOR
Q42		DTC144WU	TRANSISTOR
		or PDTC144WU	TRANSISTOR
		or RN1309	TRANSISTOR
		or UN521E	TRANSISTOR
Q202		2SC4083/NP/-X	TRANSISTOR
Q901		2SA1576A/QRS/-X	TRANSISTOR
		or 2PA1576/R/-X	TRANSISTOR
		or 2SB1218A/QRS/-X	TRANSISTOR
Q2001		2SC4081/QRS/-X	TRANSISTOR
		or 2PC4081/R/-X	TRANSISTOR
		or 2SD1819A/QRS/-X	TRANSISTOR
Q2002		2SC4081/QRS/-X	TRANSISTOR
		or 2SD1819A/QRS/-X	TRANSISTOR
		or 2PC4081/R/-X	TRANSISTOR
Q2003		DTA144WU	TRANSISTOR
		or PDTA144WU	TRANSISTOR
		or RN2309	TRANSISTOR
		or UN511E	TRANSISTOR

#	△ REF No.	PART No.	PART NAME, DESCRIPTION
Q2051		2SC4081/QRS/-X	TRANSISTOR
		or 2PC4081/R/-X	TRANSISTOR
		or 2SD1819A/QRS/-X	TRANSISTOR
Q2052		2SA1576A/QR/-X	TRANSISTOR
		or 2SB1218A/QR/-X	TRANSISTOR
		or 2PA1576/R/-X	TRANSISTOR
Q2053		DTC144WU	TRANSISTOR
		or PDTC144WU	TRANSISTOR
		or UN521E	TRANSISTOR
		or RN1309	TRANSISTOR
Q2054		2SA1576A/QR/-X	TRANSISTOR
		or 2PA1576/R/-X	TRANSISTOR
		or 2SB1218A/QR/-X	TRANSISTOR
Q2055		DTC144WU	TRANSISTOR
		or PDTC144WU	TRANSISTOR
		or RN1309	TRANSISTOR
		or UN521E	TRANSISTOR
Q3001		PTZ-NV16A	IC(PHOTO COUPLER)
Q3002		PTZ-NV16A	IC(PHOTO COUPLER)
Q3003		2SD1819A/QRS/-X	TRANSISTOR
		or 2SC4081/QRS/-X	TRANSISTOR
		or 2PC4081/R/-X	TRANSISTOR
Q3004		2SD1819A/QRS/-X	TRANSISTOR
		or 2PC4081/R/-X	TRANSISTOR
		or 2SC4081/QRS/-X	TRANSISTOR
Q4001		UN5211	TRANSISTOR
		or PDTC114EU	TRANSISTOR
		or DTC114EU	TRANSISTOR
		or RN1302	TRANSISTOR
Q4002		2SD1819A/QRS/-X	TRANSISTOR
		or 2SC4081/QRS/-X	TRANSISTOR
		or 2PC4081/R/-X	TRANSISTOR
Q5101		2SK2632-CB14	POWER MOS FET
		or 2SK2632	POWER MOS FET
		or 2SK2129	POWER MOS FET
		or 2SK2129-LT	POWER MOS FET
Q5102		2SD2144S/UV/-T	TRANSISTOR
Q5301		2SB1256	TRANSISTOR,J471MS
Q5302		DTC114TU	TRANSISTOR,J471MS
		or PDTC114TU	TRANSISTOR,J471MS
		or RN1311	TRANSISTOR,J471MS
		or UN5215	TRANSISTOR,J471MS
Q5303		2SD2144S/UV/-T	TRANSISTOR
Q6030		2SB1218A/RS/-X	TRANSISTOR
Q6501		DTC114EU	TRANSISTOR
		or PDTC114EU	TRANSISTOR
		or UN5211	TRANSISTOR
		or RN1302	TRANSISTOR
D1		1SS133	DIODE
		or 1SS270A	DIODE
D2		1SS133	DIODE
		or 1SS270A	DIODE
D4		1SS133	DIODE,J471MS
		or 1SS270A	DIODE,J471MS
D5		1SS133	DIODE,J471MS
		or 1SS270A	DIODE,J471MS
D3001		LNB2301L01VI	LE DIODE
D3002		1SS133	DIODE
		or 1SS270A	DIODE
D3004		11ES2	DIODE
		or 1A3G	DIODE

#	△	REF No.	PART No.	PART NAME, DESCRIPTION	#	△	REF No.	PART No.	PART NAME, DESCRIPTION		
			D3005	11ES2	DIODE			D5302	MTZJ6.8A	ZENER DIODE	
				or 1A3G	DIODE				or RD6.8ES/B1/-T2	ZENER DIODE	
			D3006	RD33ES/B2/-T2	ZENER DIODE			D5303	MTZJ27C	ZENER DIODE	
				or MTZJ33B	ZENER DIODE				or RD27ES/B3/-T2	ZENER DIODE	
△			D3008	RB721Q-40-T2	SB DIODE			D5304	1SS133	DIODE	
			D3009	DA204U	DIODE				or 1SS270A	DIODE	
			D3013	DA204U	DIODE			D5305	11ES2	DIODE,J471MS	
			D3015	DAN202U	DIODE				or 1A3G	DIODE,J471MS	
			D4003	1SS133	DIODE				or ERA15-02-T2	DIODE,J471MS	
				or 1SS270A	DIODE			D6002	HZ30-2L-T2	ZENER DIODE	
			D5001	S1WB/A/60-4102	BRIDGE DIODE				or HZ30-2LTD	Z DIODE (M)	
				or S1WB(A)60F4072X	BRIDGE DIODE			D7002	RD9.1ES/B2/-T2	ZENER DIODE	
				or S1WB/A/60-X	BRIDGE DIODE				or UZ9.1BSB	ZENER DIODE	
			D5101	AU01	FR DIODE				or MTZJ9.1B	ZENER DIODE	
				or ERA18-04-T2	FR DIODE			D7004	1SS133	DIODE	
				or 1SR153-400-T2	FR DIODE			D7009	SLR-325VC-T	LE DIODE	
				or 10ELS4	FR DIODE			R1	NRSA02J-682X	MG RESISTOR	6.8kΩ,1/10W
			D5102	AU01	FR DIODE			R2	NRSA02J-152X	MG RESISTOR	1.5kΩ,1/10W
				or ERA18-04-T2	FR DIODE			R3	NRSA02J-822X	MG RESISTOR	8.2kΩ,1/10W
				or 1SR153-400-T2	FR DIODE			R6	NRSA02J-273X	MG RESISTOR	27kΩ,1/10W
				or 10ELS4	FR DIODE			R7	NRSA02J-681X	MG RESISTOR	680Ω,1/10W
			D5103	1SS133	DIODE			R8	NRSA02J-0R0X	MG RESISTOR	0Ω,1/10W
				or 1SS270A	DIODE			R9	NRSA02J-0R0X	MG RESISTOR	0Ω,1/10W
			D5105	1SS133	DIODE			R12	QRE141J-0R0Y	RESISTOR	0Ω,1/4W
				or 1SS270A	DIODE			R37	NRSA02J-0R0X	MG RESISTOR	0Ω,1/10W
			D5201	AU01Z	FR DIODE			R42	NRSA02J-681X	MG RESISTOR	680Ω,1/10W
				or 10ELS2	FR DIODE			R44	NRSA02J-822X	MG RESISTOR	8.2kΩ,1/10W
			D5203	AU01Z	FR DIODE			R45	NRSA02J-103X	MG RESISTOR	10kΩ,1/10W
				or ERA18-02-T2	FR DIODE			R46	NRSA02J-331X	MG RESISTOR	330Ω,1/10W
				or PG104RS	FR DIODE			R49	NRSA02J-561X	MG RESISTOR	560Ω,1/10W
				or 1SR153-400-T2	FR DIODE			R71	NRSA02J-0R0X	MG RESISTOR,J271MS	0Ω,1/10W
				or 10ELS2	FR DIODE			R77	QRE141J-103Y	RESISTOR	10kΩ,1/4W
			D5204	AU01Z	FR DIODE			R90	NRSA02J-391X	MG RESISTOR	390Ω,1/10W
				or ERA18-02-T2	FR DIODE			R92	NRSA02J-152X	MG RESISTOR	1.5kΩ,1/10W
				or 1SR153-400-T2	FR DIODE			R93	NRSA02J-222X	MG RESISTOR	2.2kΩ,1/10W
				or 10ELS2	FR DIODE			R95	NRSA02J-103X	MG RESISTOR	10kΩ,1/10W
				or PG104RS	FR DIODE			R104	NRSA02J-682X	MG RESISTOR	6.8kΩ,1/10W
			D5205	AU01Z	FR DIODE			R201	NRSA02J-332X	MG RESISTOR	3.3kΩ,1/10W
				or PG104RS	FR DIODE			R202	NRSA02J-222X	MG RESISTOR	2.2kΩ,1/10W
				or 10ELS2	FR DIODE			R203	NRSA02J-101X	MG RESISTOR	100Ω,1/10W
				or ERA18-02-T2	FR DIODE			R204	NRSA02J-101X	MG RESISTOR	100Ω,1/10W
				or 1SR153-400-T2	FR DIODE			R210	NRSA02J-332X	MG RESISTOR,J471MS	3.3kΩ,1/10W
△			D5207	AK04	DIODE				NRSA02J-562X	MG RESISTOR,J271MS	5.6kΩ,1/10W
△				or 1S4	SB DIODE			R211	NRSA02J-0R0X	MG RESISTOR	0Ω,1/10W
△				or 11EQS04	SB DIODE			R901	NRSA02J-750X	MG RESISTOR	75Ω,1/10W
			D5209	10ELS2	FR DIODE			R904	QRE123J-331X	RESISTOR	330Ω,1/2W
				or 1SR153-400-T2	FR DIODE			R905	NRSA02J-101X	MG RESISTOR	100Ω,1/10W
				or PG104RS	FR DIODE			R911	NRSA02J-750X	MG RESISTOR	75Ω,1/10W
				or ERA18-02-T2	FR DIODE			R912	NRSA02J-750X	MG RESISTOR,J471MS	75Ω,1/10W
			D5210	AU01Z	FR DIODE			R2001	NRSA02J-101X	MG RESISTOR	100Ω,1/10W
				or ERA18-02-T2	FR DIODE			R2003	NRSA02J-101X	MG RESISTOR	100Ω,1/10W
				or 1SR153-400-T2	FR DIODE			R2004	NRSA02J-472X	MG RESISTOR	4.7kΩ,1/10W
				or 10ELS2	FR DIODE			R2005	NRSA02J-153X	MG RESISTOR	15kΩ,1/10W
				or PG104RS	FR DIODE			R2006	NRSA02J-563X	MG RESISTOR,J471MS	56kΩ,1/10W
			D5211	AU01Z	FR DIODE			R2007	NRSA02J-563X	MG RESISTOR	56kΩ,1/10W
				or ERA18-02-T2	FR DIODE			R2008	NRSA02J-103X	MG RESISTOR	10kΩ,1/10W
				or PG104RS	FR DIODE			R2009	NRSA02J-682X	MG RESISTOR,J471MS	6.8kΩ,1/10W
				or 1SR153-400-T2	FR DIODE			R2010	NRSA02J-682X	MG RESISTOR	6.8kΩ,1/10W
				or 10ELS2	FR DIODE			R2012	NRSA02J-153X	MG RESISTOR	15kΩ,1/10W
			D5301	MTZJ15A	ZENER DIODE			R2013	NRSA02J-682X	MG RESISTOR	6.8kΩ,1/10W
				or RD15ES/B1/-T2	ZENER DIODE			R2014	NRSA02J-224X	MG RESISTOR	220kΩ,1/10W

#	△ REF No.	PART No.	PART NAME, DESCRIPTION	#	△ REF No.	PART No.	PART NAME, DESCRIPTION
R2015		NRSA02J-181X	MG RESISTOR 180Ω,1/10W	R3214		NRSA02J-181X	MG RESISTOR 180Ω,1/10W
R2016		NRSA02J-473X	MG RESISTOR 47kΩ,1/10W	R3215		NRSA02J-273X	MG RESISTOR 27kΩ,1/10W
R2017		NRSA02J-183X	MG RESISTOR 18kΩ,1/10W	R3216		NRSA02J-474X	MG RESISTOR 470kΩ,1/10W
R2018		NRSA02J-472X	MG RESISTOR 4.7kΩ,1/10W	R3217		NRSA02J-334X	MG RESISTOR 330kΩ,1/10W
R2019		NRSA02J-472X	MG RESISTOR 4.7kΩ,1/10W	R3219		NRSA02J-103X	MG RESISTOR 10kΩ,1/10W
R2053		NRSA02J-472X	MG RESISTOR 4.7kΩ,1/10W	R3220		NRSA02J-103X	MG RESISTOR 10kΩ,1/10W
R2054		NRSA02J-123X	MG RESISTOR 12kΩ,1/10W	R3222		NRSA02J-472X	MG RESISTOR 4.7kΩ,1/10W
R2055		NRSA02J-3R3X	MG RESISTOR 3.3Ω,1/10W	R3223		NRSA02J-105X	MG RESISTOR 1MΩ,1/10W
R2056		NRSA02J-820X	MG RESISTOR 82Ω,1/10W	R3224		NRSA02J-101X	MG RESISTOR 100Ω,1/10W
R2057		NRSA02J-473X	MG RESISTOR 47kΩ,1/10W	R3226		NRSA02J-103X	MG RESISTOR 10kΩ,1/10W
R2058		NRSA02J-183X	MG RESISTOR 18kΩ,1/10W	R3227		NRSA02J-103X	MG RESISTOR 10kΩ,1/10W
R2059		NRSA02J-473X	MG RESISTOR 47kΩ,1/10W	R3232		QRE141J-104Y	RESISTOR 100kΩ,1/4W
R2060		NRSA02J-183X	MG RESISTOR 18kΩ,1/10W	R3233		NRSA02J-472X	MG RESISTOR 4.7kΩ,1/10W
R2602		NRSA02J-101X	MG RESISTOR,J471MS 100Ω,1/10W	R3234		NRSA02J-472X	MG RESISTOR 4.7kΩ,1/10W
R2603		NRSA02J-101X	MG RESISTOR 100Ω,1/10W	△ R3235		QRE141J-102Y	RESISTOR 1kΩ,1/4W
R3001		NRSA02J-102X	MG RESISTOR 1kΩ,1/10W	R3237		QRE141J-472Y	RESISTOR 4.7kΩ,1/4W
R3002		NRSA02J-102X	MG RESISTOR 1kΩ,1/10W	R3238		QRE141J-472Y	RESISTOR 4.7kΩ,1/4W
R3005		NRSA02J-102X	MG RESISTOR 1kΩ,1/10W	R4001		QRE141J-222Y	RESISTOR 2.2kΩ,1/4W
R3007		NRSA02J-102X	MG RESISTOR 1kΩ,1/10W	R4002		NRSA02J-223X	MG RESISTOR 22kΩ,1/10W
R3008		NRSA02J-102X	MG RESISTOR 1kΩ,1/10W	R4003		NRSA02J-222X	MG RESISTOR 2.2kΩ,1/10W
R3014		NRSA02J-102X	MG RESISTOR 1kΩ,1/10W	R4006		NRSA02J-472X	MG RESISTOR 4.7kΩ,1/10W
R3016		NRSA02J-102X	MG RESISTOR 1kΩ,1/10W	R4010		NRSA02J-471X	MG RESISTOR 470Ω,1/10W
R3017		NRSA02J-0R0X	MG RESISTOR 0Ω,1/10W	R4011		NRSA02J-471X	MG RESISTOR 470Ω,1/10W
R3018		NRSA02J-0R0X	MG RESISTOR 0Ω,1/10W	R4012		NRSA02J-153X	MG RESISTOR 15kΩ,1/10W
R3021		NRSA02J-102X	MG RESISTOR 1kΩ,1/10W	R4018		NRSA02J-103X	MG RESISTOR 10kΩ,1/10W
R3022		NRSA02J-102X	MG RESISTOR 1kΩ,1/10W	R4019		NRSA02J-102X	MG RESISTOR 1kΩ,1/10W
R3027		NRSA02J-102X	MG RESISTOR 1kΩ,1/10W	R4020		NRSA02J-102X	MG RESISTOR 1kΩ,1/10W
R3029		NRSA02J-102X	MG RESISTOR 1kΩ,1/10W	R4021		NRSA02J-103X	MG RESISTOR 10kΩ,1/10W
R3031		NRSA02J-102X	MG RESISTOR 1kΩ,1/10W	R4022		NRSA02J-472X	MG RESISTOR 4.7kΩ,1/10W
R3035		QRE141J-102Y	RESISTOR 1kΩ,1/4W	R4024		NRSA02J-103X	MG RESISTOR 10kΩ,1/10W
R3043		NRSA02J-102X	MG RESISTOR 1kΩ,1/10W	R4025		NRSA02J-472X	MG RESISTOR 4.7kΩ,1/10W
R3046		QRE141J-102Y	RESISTOR 1kΩ,1/4W	R5101		QRE141J-224Y	RESISTOR 220kΩ,1/4W
R3058		NRSA02J-102X	MG RESISTOR 1kΩ,1/10W	R5102		QRE141J-224Y	RESISTOR 220kΩ,1/4W
R3060		NRSA02J-102X	MG RESISTOR 1kΩ,1/10W	R5103		QRE141J-683Y	RESISTOR 68kΩ,1/4W
R3078		NRSA02J-102X	MG RESISTOR 1kΩ,1/10W	R5104		QRG02GJ-683	OMF RESISTOR 68kΩ,2W
R3079		NRSA02J-102X	MG RESISTOR 1kΩ,1/10W	R5106		QRT01DJ-R39X	MF RESISTOR 0.39Ω,1W
R3080		NRSA02J-102X	MG RESISTOR 1kΩ,1/10W	R5107		QRE121J-331Y	RESISTOR 330Ω,1/2W
R3081		NRSA02J-102X	MG RESISTOR 1kΩ,1/10W	R5108		NRSA02J-222X	MG RESISTOR 2.2kΩ,1/10W
R3083		NRSA02J-102X	MG RESISTOR 1kΩ,1/10W	R5109		QRE141J-681Y	RESISTOR 680Ω,1/4W
R3085		NRSA02J-472X	MG RESISTOR 4.7kΩ,1/10W	R5110		NRSA02J-224X	MG RESISTOR 220kΩ,1/10W
R3086		NRSA02J-102X	MG RESISTOR 1kΩ,1/10W	R5111		NRSA02J-821X	MG RESISTOR 820Ω,1/10W
R3087		NRSA02J-102X	MG RESISTOR 1kΩ,1/10W	R5112		NRSA02J-221X	MG RESISTOR 220Ω,1/10W
R3090		QRE141J-102Y	RESISTOR 1kΩ,1/4W	R5302		NRSA02J-102X	MG RESISTOR 1kΩ,1/10W
R3092		NRSA02J-102X	MG RESISTOR 1kΩ,1/10W	R5303		NRSA02J-122X	MG RESISTOR 1.2kΩ,1/10W
R3094		NRSA02J-102X	MG RESISTOR 1kΩ,1/10W	△ R5304		QRZ9005-221X	FUSI RESISTOR 220Ω,1/4W
R3096		NRSA02J-102X	MG RESISTOR 1kΩ,1/10W	R5305		NRSA02J-471X	MG RESISTOR 470Ω,1/10W
R3097		NRSA02J-102X	MG RESISTOR 1kΩ,1/10W	R5306		NRSA02J-563X	MG RESISTOR 56kΩ,1/10W
R3098		NRSA02J-102X	MG RESISTOR 1kΩ,1/10W	R5308		NRSA02J-472X	MG RESISTOR,J471MS 4.7kΩ,1/10W
R3201		NRSA02J-103X	MG RESISTOR 10kΩ,1/10W	R5309		NRSA02J-222X	MG RESISTOR,J471MS 2.2kΩ,1/10W
R3202		NRSA02J-472X	MG RESISTOR 4.7kΩ,1/10W	R5319		NRSA02J-221X	MG RESISTOR 220Ω,1/10W
R3203		NRSA02J-103X	MG RESISTOR 10kΩ,1/10W	R5327		NRSA02J-303X	MG RESISTOR 30kΩ,1/10W
R3204		NRSA02J-222X	MG RESISTOR 2.2kΩ,1/10W	R6020		NRSA02J-0R0X	MG RESISTOR 0Ω,1/10W
R3205		NRSA02J-562X	MG RESISTOR 5.6kΩ,1/10W	R6021		NRSA02J-0R0X	MG RESISTOR 0Ω,1/10W
R3206		NRSA02J-103X	MG RESISTOR 10kΩ,1/10W	R6022		NRSA02J-0R0X	MG RESISTOR 0Ω,1/10W
R3207		NRSA02J-103X	MG RESISTOR 10kΩ,1/10W	R6023		NRSA02J-0R0X	MG RESISTOR 0Ω,1/10W
R3208		NRSA02J-103X	MG RESISTOR 10kΩ,1/10W	R6030		NRSA02J-102X	MG RESISTOR 1kΩ,1/10W
R3209		QRE141J-181Y	RESISTOR 180Ω,1/4W	R6031		NRSA02J-271X	MG RESISTOR 270Ω,1/10W
R3210		NRSA02J-183X	MG RESISTOR 18kΩ,1/10W	R6032		NRSA02J-472X	MG RESISTOR 4.7kΩ,1/10W
R3211		NRSA02J-183X	MG RESISTOR 18kΩ,1/10W	R6033		NRSA02J-182X	MG RESISTOR 1.8kΩ,1/10W
R3212		NRSA02J-181X	MG RESISTOR 180Ω,1/10W	R6050		QRE141J-101Y	RESISTOR 100Ω,1/4W
R3213		NRSA02J-273X	MG RESISTOR 27kΩ,1/10W	R6051		NRSA02J-101X	MG RESISTOR 100Ω,1/10W



#	△	REF No.	PART No.	PART NAME, DESCRIPTION		#	△	REF No.	PART No.	PART NAME, DESCRIPTION	
R6052			NRSA02J-101X	MG RESISTOR	100Ω,1/10W	C64			NDC21HJ-220X	CAPACITOR	22pF,50V
R7001			NRSA02J-471X	MG RESISTOR	470Ω,1/10W	C65			NCB21AK-105X	CAPACITOR	1μF,10V
R7002			NRSA02J-471X	MG RESISTOR	470Ω,1/10W	C81			NCB21HK-103X	CAPACITOR	0.01μF,50V
R7003			NRSA02J-471X	MG RESISTOR	470Ω,1/10W	C89			NRSA02J-0R0X	MG RESISTOR,J271MS	0Ω,1/10W
R7004			NRSA02J-471X	MG RESISTOR	470Ω,1/10W	C90			NRSA02J-0R0X	MG RESISTOR,J271MS	0Ω,1/10W
R7013			NRSA02J-103X	MG RESISTOR	10kΩ,1/10W	C106			NCB21HK-821X	CAPACITOR	820pF,50V
R7017			QRE141J-103Y	RESISTOR	10kΩ,1/4W	C108			NDC21HJ-680X	CAPACITOR	68pF,50V
R7020			NRSA02J-103X	MG RESISTOR	10kΩ,1/10W	C109			NCB21CK-224X	CAPACITOR	0.22μF,16V
R7021			NRSA02J-122X	MG RESISTOR	1.2kΩ,1/10W	C110			NDC21HJ-820X	CAPACITOR	82pF,50V
R7022			NRSA02J-182X	MG RESISTOR	1.8kΩ,1/10W	C112			NDC21HJ-120X	CAPACITOR	12pF,50V
R7023			NRSA02J-222X	MG RESISTOR	2.2kΩ,1/10W	C113			NDC21HJ-181X	CAPACITOR	180pF,50V
R7024			NRSA02J-272X	MG RESISTOR	2.7kΩ,1/10W	C114			NDC21HJ-181X	CAPACITOR	180pF,50V
R7030			NRSA02J-103X	MG RESISTOR	10kΩ,1/10W	C201			QEKJ0JM-107	E CAPACITOR	100μF,6.3V
R7031			NRSA02J-122X	MG RESISTOR	1.2kΩ,1/10W	C202			NCB21EK-104X	CAPACITOR	0.1μF,25V
R7032			NRSA02J-182X	MG RESISTOR	1.8kΩ,1/10W	C203			QEKJ1HM-105	E CAPACITOR	1μF,50V
R7033			NRSA02J-222X	MG RESISTOR	2.2kΩ,1/10W	C205			NDC21HJ-101X	CAPACITOR	100pF,50V
R7034			NRSA02J-0R0X	MG RESISTOR	0Ω,1/10W	C207			NCF21CZ-105X	CAPACITOR	1μF,16V
R7037			NRSA02J-563X	MG RESISTOR	56kΩ,1/10W	C208			NDC21HJ-101X	CAPACITOR	100pF,50V
R7040			NRSA02J-331X	MG RESISTOR	330Ω,1/10W	C209			NCB21HK-103X	CAPACITOR	0.01μF,50V
C1			NCB21EK-104X	CAPACITOR,J471MS	0.1μF,25V	C210			NCB21HK-222X	CAPACITOR	0.0022μF,50V
			NCB21HK-103X	CAPACITOR,J271MS	0.01μF,50V	C211			NCB21HK-103X	CAPACITOR	0.01μF,50V
C2			NCB21EK-104X	CAPACITOR,J471MS	0.1μF,25V	C212			NDC21HJ-271X	CAPACITOR	270pF,50V
			NCB21HK-103X	CAPACITOR,J271MS	0.01μF,50V	C901			QETN0JM-477	E CAPACITOR	470μF,6.3V
C3			NCB21EK-104X	CAPACITOR,J471MS	0.1μF,25V	C903			QEKJ1CM-476	E CAPACITOR	47μF,16V
C4			NCB21EK-104X	CAPACITOR,J471MS	0.1μF,25V	C904			NCB21EK-104X	CAPACITOR	0.1μF,25V
C5			QEKJ0JM-227	E CAPACITOR	220μF,6.3V	C2001			QEKJ1EM-475	E CAPACITOR	4.7μF,25V
C6			NCB11EK-104X	CAPACITOR	0.1μF,25V	C2002			QEKJ1HM-105	E CAPACITOR	1μF,50V
C8			NCB21EK-104X	CAPACITOR	0.1μF,25V	C2003			QEKJ1CM-476	E CAPACITOR	47μF,16V
C10			NDC21HJ-151X	CAPACITOR	150pF,50V	C2005			QEKJ1EM-475	E CAPACITOR	4.7μF,25V
C11			NCB21EK-104X	CAPACITOR	0.1μF,25V	C2006			NCB21HK-123X	CAPACITOR	0.012μF,50V
C12			NDC21HJ-470X	CAPACITOR	47pF,50V	C2007			QEKJ1CM-226	E CAPACITOR	22μF,16V
C13			NCB21HK-103X	CAPACITOR	0.01μF,50V	C2008			QEKJ1EM-475	E CAPACITOR	4.7μF,25V
C14			NCB21EK-104X	CAPACITOR	0.1μF,25V	C2009			NCB21HK-102X	CAPACITOR	0.001μF,50V
C15			NCB21HK-103X	CAPACITOR	0.01μF,50V	C2010			NCB21HK-152X	CAPACITOR	0.0015μF,50V
C16			NCB21EK-104X	CAPACITOR	0.1μF,25V	C2011			QEKJ1EM-475	E CAPACITOR	4.7μF,25V
C17			QEKJ1HM-335	E CAPACITOR	3.3μF,50V	C2012			QEKJ1EM-475	E CAPACITOR	4.7μF,25V
C18			QEKJ1HM-105	E CAPACITOR	1μF,50V	C2051			QCB1HJ-331	CAPACITOR	330pF,50V
C19			QEKJ1HM-225	E CAPACITOR	2.2μF,50V	C2052			QFV91HJ-823	F CAPACITOR	0.082μF,50V
C20			QEPF1HM-105	NP E CAPACITOR	1μF,50V	C2053			NCB21HK-472X	CAPACITOR	0.0047μF,50V
C21			NCB21EK-104X	CAPACITOR	0.1μF,25V	C2054			NCB21HK-223X	CAPACITOR	0.022μF,50V
C22			QEKJ0JM-107	E CAPACITOR	100μF,6.3V	C2055			QEKJ1CM-106	E CAPACITOR	10μF,16V
C23			NCB21EK-104X	CAPACITOR	0.1μF,25V	C3001			NCB21EK-104X	CAPACITOR	0.1μF,25V
C24			NCB21EK-104X	CAPACITOR	0.1μF,25V	C3002			NCB21EK-104X	CAPACITOR	0.1μF,25V
C25			NDC21HJ-5R0X	CAPACITOR	5pF,50V	C3003			QEKJ1CM-106	E CAPACITOR	10μF,16V
C27			NCB21HK-223X	CAPACITOR	0.022μF,50V	C3008			NCB21HK-103X	CAPACITOR	0.01μF,50V
C28			QEKJ1HM-335	E CAPACITOR	3.3μF,50V	C3013			QEKJ1CM-106	E CAPACITOR	10μF,16V
C29			NCB21EK-333X	CAPACITOR	0.033μF,25V	C3016			NDC21HJ-180X	CAPACITOR	18pF,50V
C30			QEKJ1HM-474	E CAPACITOR	0.47μF,50V	C3017			NDC21HJ-220X	CAPACITOR	22pF,50V
C31			QEKJ0JM-476	E CAPACITOR	47μF,6.3V	C3018			QAT3725-300Z	TRIM CAPACITOR,TIMER CLOCK	
C32			NCB21EK-104X	CAPACITOR	0.1μF,25V	C3019			NDC21HJ-100X	CAPACITOR	10pF,50V
C33			QEKJ1HM-225	E CAPACITOR	2.2μF,50V	C3020			NDC21HJ-180X	CAPACITOR	18pF,50V
C34			NCB21EK-224X	CAPACITOR	0.22μF,25V	C3022			NCB21HK-103X	CAPACITOR	0.01μF,50V
C35			NCB21HK-103X	CAPACITOR	0.01μF,50V	C3023			NCF21CZ-105X	CAPACITOR	1μF,16V
C36			QEKJ1EM-475	E CAPACITOR	4.7μF,25V	C3024			QEKJ0JM-476	E CAPACITOR	47μF,6.3V
C37			QEKJ1HM-105	E CAPACITOR	1μF,50V	C3025			NCB21HK-103X	CAPACITOR	0.01μF,50V
C38			QEKJ0JM-476	E CAPACITOR	47μF,6.3V	C3028			QETN0JM-108	E CAPACITOR	1000μF,6.3V
C39			NCB21EK-104X	CAPACITOR	0.1μF,25V	C3029			NCB21HK-103X	CAPACITOR	0.01μF,50V
C40			QEKJ1CM-106	E CAPACITOR	10μF,16V	C3030			QEKJ0JM-227	E CAPACITOR	220μF,6.3V
C51			QERF1HM-105	E CAPACITOR,J471MS	1μF,50V	C3035			NCB21EK-104X	CAPACITOR	0.1μF,25V
C54			NCB21EK-103X	CAPACITOR	0.01μF,25V	C3036			QERF0JM-107	E CAPACITOR	100μF,6.3V
C62			NCB21EK-104X	CAPACITOR	0.1μF,25V	C3048			NCB21HK-103X	CAPACITOR	0.01μF,50V

#	△ REF No.	PART No.	PART NAME, DESCRIPTION	#	△ REF No.	PART No.	PART NAME, DESCRIPTION		
		C3049	NCB21HK-103X	CAPACITOR	0.01μF,50V	C7013	NCB21HK-103X	CAPACITOR	0.01μF,50V
		C3050	NCB21HK-103X	CAPACITOR	0.01μF,50V	C7014	NCB21HK-103X	CAPACITOR	0.01μF,50V
		C3052	NCB21HK-103X	CAPACITOR	0.01μF,50V	C7019	NCB21EK-223X	CAPACITOR	0.022μF,25V
		C3053	QDYB1CM-103Y	CAPACITOR	0.01μF,16V	L1	QQL29BJ-100Z	COIL	10μH
		C3054	NCB21HK-103X	CAPACITOR	0.01μF,50V	L2	QQL29BJ-101Z	COIL	100μH
		C4001	NCB21EK-104X	CAPACITOR	0.1μF,25V	L3	QQL29BJ-100Z	COIL	10μH
		C4002	QEKJ1HM-224	E CAPACITOR	0.22μF,50V	L4	QQL29BJ-100Z	COIL	10μH
		C4004	QERF0JM-336	E CAPACITOR	33μF,6.3V	L5	QQL29BJ-100Z	COIL	10μH
		C4006	NCB21EK-563X	CAPACITOR	0.056μF,25V	L11	QQL01BJ-120Z	COIL	12μH
		C4007	NCB21HJ-103X	CAPACITOR	0.01μF,50V	L13	QQL231J-330Y	COIL	33μH
		C4008	QERF0JM-476	E CAPACITOR	47μF,6.3V	L24	QQL231J-270Y	COIL	27μH
		C4009	NCB21HK-102X	CAPACITOR	0.001μF,50V	L27	QQL231J-330Y	COIL	33μH
		C4010	QERF0JM-476	E CAPACITOR	47μF,6.3V	L28	QQL231J-680Y	COIL	68μH
		C4011	NCB21CK-224X	CAPACITOR	0.22μF,16V	L201	QQL29BJ-100Z	COIL	10μH
		C4012	NDC21HJ-471X	CAPACITOR	470pF,50V	L203	QQL231J-4R7Y	COIL	4.7μH
		C4014	NDC21HJ-101X	CAPACITOR	100pF,50V	L204	QQL231J-5R6Y	COIL	5.6μH
		C4015	NDC21HJ-101X	CAPACITOR	100pF,50V	L901	QQL29BJ-100Z	COIL	10μH
		C4016	QEKJ0JM-476	E CAPACITOR	47μF,6.3V	L5201	PELN1184	COIL	33μH
		C4017	NCB21HJ-103X	CAPACITOR	0.01μF,50V	L5202	PELN1184	COIL	33μH
		C4019	NCB21EK-104X	CAPACITOR	0.1μF,25V	L6001	QQL29BJ-100Z	COIL	10μH
		C4022	NDC21HJ-101X	CAPACITOR	100pF,50V	L6002	QQL29BJ-100Z	COIL	10μH
△		C5001	QFZ9073-683	F CAPACITOR	0.068μF,250V	X1	QAX0576-001	CRYSTAL RESONATOR	
△		C5004	QCZ9071-222	CAPACITOR	0.0022μF,250V	X2	QAX0575-001	CRYSTAL RESONATOR	
		C5006	QEZO374-826	E CAPACITOR	82μF,400V	X3001	QAX0526-001Z	CRYSTAL RESONATOR	
		C5101	QCZO212-472	CAPACITOR	0.0047μF,1kV	X3002	QAX0444-001	CRYSTAL RESONATOR	
		C5102	QCZO302-330Z	CAPACITOR	33pF,1kV	S3001	QSW0602-004	PUSH SWITCH,REC.SAFETY	
		C5104	QETN1HM-105	E CAPACITOR	1μF,50V	S7001	QSW0456-002Z	TACT SWITCH,POWER	
		C5105	QFN31HJ-183	F CAPACITOR	0.018μF,50V	S7002	QSW0456-002Z	TACT SWITCH,C.SYSTEM	
		C5106	QCB1HJ-271	CAPACITOR	270pF,50V	S7004	QSW0456-002Z	TACT SWITCH,CH-	
		C5107	QFV91HJ-104	F CAPACITOR	0.1μF,50V	S7006	QSW0456-002Z	TACT SWITCH,CH+	
		C5201	QEMU0JM-227	E CAPACITOR	220μF,6.3V	S7010	QSW0456-002Z	TACT SWITCH,SP/LP/EP	
		C5202	QEMT1CM-827	E CAPACITOR	820μF,16V	S7011	QSW0456-002Z	TACT SWITCH,REC	
		C5203	QEMT1AM-687	E CAPACITOR	680μF,10V	S7013	QSW0456-002Z	TACT SWITCH,STOP/EJECT	
		C5204	QETN2AM-475	E CAPACITOR	4.7μF,100V	S7015	QSW0456-002Z	TACT SWITCH,PAUSE	
		C5205	QETN1HM-106	E CAPACITOR	10μF,50V	S7016	QSW0456-002Z	TACT SWITCH,REC LINK	
		C5206	QEMU1EM-187	E CAPACITOR	180μF,25V	K5101	QQR0678-001Z	FERRITE BEAD	
		C5207	QETN1CM-227	E CAPACITOR	220μF,16V	PC3001	GP3S123	IC(PHOTO SENSOR)	
		C5208	QETN1AM-227	E CAPACITOR	220μF,10V	PC3002	GP3S123	IC(PHOTO SENSOR)	
		C5301	QEMU0JM-227	E CAPACITOR	220μF,6.3V	△ PC5101	PS2561L1-1/WL/	IC(PHOTO COUPLER)	
		C5302	QETN1HM-106	E CAPACITOR	10μF,50V	T2051	PELN0832	OSC TRANSFORMER	
		C5303	QETN1CM-107	E CAPACITOR	100μF,16V	△ T5001	QQS0030-002	SW TRANSFORMER	
		C5304	QFLC1HJ-563Z	F CAPACITOR	0.056μF,50V	TU6001	QAU0151-001	TUNER	
		C5305	NCB21HK-103X	CAPACITOR	0.01μF,50V	△ TB1	LP20383-006B	TERMINAL BORAD	
		C5306	QETN1AM-107	E CAPACITOR	100μF,10V	ET1	PQ21623-2-5	EARTH PLATE(RF)	
		C5307	QETN1AM-476	E CAPACITOR	47μF,10V	DI7001	QLF0031-001	FL TUBE	
		C5321	NCF21CZ-105X	CAPACITOR,J471MS	1μF,16V	HD1	PQ35479-1-4	HOLDER(FDP),DI7001	
		C6007	QEK1CM-107	E CAPACITOR	100μF,16V	△ HS1	LP40090-001A	HEAT SINK,Q5101	
		C6012	QETJ1CM-107	E CAPACITOR	100μF,16V	SD1	LP30644-001A	SHIELD CASE(PRE)	
		C6014	NCB21HK-103X	CAPACITOR	0.01μF,50V	OT1	QYTDST3006Z	SCREW,Q5101	
		C6020	NDC21HJ-101X	CAPACITOR	100pF,50V	J1	QNN0291-002	PIN JACK,A/V IN	
		C6021	NDC21HJ-101X	CAPACITOR	100pF,50V	J2	QNN0292-002	PIN JACK,A/V OUT	
		C6022	NDC21HJ-101X	CAPACITOR	100pF,50V	FC5001	QNG0006-001Z	FUSE CLIP,F5001	
		C6031	QEKJ1CM-106	E CAPACITOR	10μF,16V	FC5002	QNG0006-001Z	FUSE CLIP,F5001	
		C6519	NCB21HK-473X	CAPACITOR	0.047μF,50V	FW7106	QUM022-30A4A4	PARA RIBON WIRE	
		C7001	QDGB1HK-102Y	CAPACITOR	0.001μF,50V	J7101	QNN0289-002	PIN JACK,FRONT IN	
		C7002	QEKJ1HM-106	E CAPACITOR	10μF,50V	△ LF5002	QQR0516-001	LINE FILTER	
		C7007	QEKJ0JM-476	E CAPACITOR	47μF,6.3V	△ VA5003	QAF0026-621	VARIATOR	
		C7008	NCB21EK-223X	CAPACITOR	0.022μF,25V	CN1	QGF1028C2-08	FPC CONNECTOR,(1-8)U.DRUM,J471MS	
		C7009	NDC21HJ-220X	CAPACITOR	22pF,50V		QGF1028C3-04	FPC CONNECTOR,(5-8)U.DRUM,J271MS	
		C7010	NCB21EK-104X	CAPACITOR	0.1μF,25V	CN2001	QGF1207C1-07	FPC CONNECTOR,(1-7)A/C HEAD	
		C7011	QEKJ0JM-227	E CAPACITOR	220μF,6.3V	CN2002	QGB2532J1-02	CONNECTOR,(1-2)FE HEAD	

#	△ REF No.	PART No.	PART NAME, DESCRIPTION
		CN3001	QGB2015M2-08 CONNECTOR,(1-8)CAPSTAN MOTOR
		CN3002	QGF1207C1-05 FPC CONNECTOR,(1-5)DRUM MDA
		CN3003	QGB2532J1-02 CONNECTOR,(1-2)LOADING MOTOR
		CN3004	QGB2534J2-04 CONNECTOR,(1-4)ROTARY ENCODER
△		CN5001	QGA7901C3-02 CONNECTOR,(1-2)AC IN
		CN7001	QGF1207C1-09 FPC CONNECTOR,(1-9)MINI FRONT
△		CP4001	ICP-N25 CIRCUIT PROTECTOR
△		CP5302	ICP-N25 CIRCUIT PROTECTOR
△		F5001	QMF51E2-2R0 FUSE T2.0A,AC250V

\*\*\*\*\*

**MAIN BOARD ASSEMBLY(HR-J677MS/J777MS)<03>**

PW1	LPA10086-16E1	MAIN BOARD ASSY,J777MS
	LPA10086-17D1	MAIN BOARD ASSY,J677MS
IC1	JCP8020-MSD-2	IC
IC201	LC74789N-9795	IC (OSD)
IC3001	HD6432192A73F	IC (MCU)
IC3002	S-80727AN-DQ-X	IC
	or S-80827ANUP-W	IC
IC3003	AT24C04-10PC	IC,J677MS
	AT24C08-10PC	IC,J777MS
	or BR24C04W	IC,J677MS
	or BR24C08	IC,J777MS
	or M24C04-BN6	IC,J677MS
	or M24C08-BN6	IC,J777MS
	or S-24C04ADP	IC,J677MS
	or S-24C08ADP	IC,J777MS
	or 24LC04B/P	IC,J677MS
	or 24LC08B/P	IC,J777MS
IC3004	BA6956AN	IC
IC5301	LA5613	IC
IC7001	M35500BGP	IC
	or M35500AGP	IC
IC7002	GP1U291Q	IR DETECT UNIT
	or PNA4652M00YC	IR DETECT UNIT
	or PIC-28143LJ	IR DETECT UNIT
Q1	2SC4081/S/-X	TRANSISTOR
Q2	2SC4081/S/-X	TRANSISTOR
Q3	2SC4081/S/-X	TRANSISTOR
Q4	2SC4081/S/-X	TRANSISTOR
Q22	2SC4081/QRS/-X	TRANSISTOR
	or 2PC4081/R/-X	TRANSISTOR
	or 2SD1819A/QRS/-X	TRANSISTOR
Q38	2SC4081/QRS/-X	TRANSISTOR
Q39	DTC144WU	TRANSISTOR
	or PDTC144WU	TRANSISTOR
	or RN1309	TRANSISTOR
	or UN521E	TRANSISTOR
Q40	DTC144WU	TRANSISTOR
	or PDTC144WU	TRANSISTOR
	or RN1309	TRANSISTOR
	or UN521E	TRANSISTOR
Q41	DTC144WU	TRANSISTOR
	or PDTC144WU	TRANSISTOR
	or RN1309	TRANSISTOR
	or UN521E	TRANSISTOR
Q201	2SA1576A/QR/-X	TRANSISTOR

#	△ REF No.	PART No.	PART NAME, DESCRIPTION
			or 2PA1576/R/-X TRANSISTOR
			or 2SB1218A/QR/-X TRANSISTOR
Q2001		2SC4081/QRS/-X	TRANSISTOR
		or 2SD1819A/QRS/-X	TRANSISTOR
		or 2PC4081/R/-X	TRANSISTOR
Q2002		2SC4081/QRS/-X	TRANSISTOR
		or 2PC4081/R/-X	TRANSISTOR
		or 2SD1819A/QRS/-X	TRANSISTOR
Q2003		DTA144WU	TRANSISTOR
		or PDTA144WU	TRANSISTOR
		or RN2309	TRANSISTOR
		or UN511E	TRANSISTOR
Q2051		2SC4081/QRS/-X	TRANSISTOR
		or 2SD1819A/QRS/-X	TRANSISTOR
		or 2PC4081/R/-X	TRANSISTOR
Q2052		2SA1576A/QR/-X	TRANSISTOR
		or 2PA1576/R/-X	TRANSISTOR
		or 2SB1218A/QR/-X	TRANSISTOR
Q2053		DTC144WU	TRANSISTOR
		or PDTC144WU	TRANSISTOR
		or RN1309	TRANSISTOR
		or UN521E	TRANSISTOR
Q2054		2SA1576A/QR/-X	TRANSISTOR
		or 2SB1218A/QR/-X	TRANSISTOR
		or 2PA1576/R/-X	TRANSISTOR
Q2055		DTC144WU	TRANSISTOR
		or PDTC144WU	TRANSISTOR
		or RN1309	TRANSISTOR
		or UN521E	TRANSISTOR
Q2251		DTA144WU	TRANSISTOR
		or PDTA144WU	TRANSISTOR
		or RN2309	TRANSISTOR
		or UN511E	TRANSISTOR
Q2252		DTC114EU	TRANSISTOR
		or PDTC114EU	TRANSISTOR
		or RN1302	TRANSISTOR
		or UN5211	TRANSISTOR
Q3001		2SD1819A/QRS/-X	TRANSISTOR
		or 2SC4081/QRS/-X	TRANSISTOR
		or 2PC4081/R/-X	TRANSISTOR
Q3002		PTZ-NV16	PHOTO TRANSISTOR
		or PTZ-NV16A	PHOTO TRANSISTOR
Q3003		PTZ-NV16	PHOTO TRANSISTOR
		or PTZ-NV16A	PHOTO TRANSISTOR
Q3004		2SD1819A/QRS/-X	TRANSISTOR
		or 2PC4081/R/-X	TRANSISTOR
		or 2SC4081/QRS/-X	TRANSISTOR
Q3005		2SD1819A/QRS/-X	TRANSISTOR
		or 2SC4081/QRS/-X	TRANSISTOR
		or 2PC4081/R/-X	TRANSISTOR
Q4001		UN5211	TRANSISTOR
		or PDTC114EU	TRANSISTOR
		or RN1302	TRANSISTOR
		or DTC114EU	TRANSISTOR
Q5101		2SK2632-CB14	POWER MOS FET
		or 2SK2129-LT	POWER MOS FET
		or 2SK2632	POWER MOS FET
		or 2SK2129	POWER MOS FET
Q5102		2SD2144S/UV/-T	TRANSISTOR
Q5303		2SD2144S/UV/-T	TRANSISTOR
Q6030		2SB1218A/RS/-X	TRANSISTOR

#	△ REF No.	PART No.	PART NAME, DESCRIPTION	#	△ REF No.	PART No.	PART NAME, DESCRIPTION	
		Q6032	DTC114EU	TRANSISTOR			or 1SR153-400-T2	FR DIODE
			or PDTC114EU	TRANSISTOR			or 10ELS2	FR DIODE
			or RN1302	TRANSISTOR			or PG104RS	FR DIODE
			or UN5211	TRANSISTOR	D5212	RK14LF-B2	BARRIER DIODE	
		Q7105	2SB1218A/QRS/-X	TRANSISTOR		or SB240-F26	SB DIODE	
			or 2SA1576A/QRS/-X	TRANSISTOR		or 21DQ04	BARRIER DIODE	
			or 2PA1576/R/-X	TRANSISTOR	D5301	MTZJ15C	ZENER DIODE	
		D6	MTZJ5.6C	ZENER DIODE		or MTZJ16A	ZENER DIODE	
			or RD5.6ES/B3/-T2	ZENER DIODE		or RD16ES/B1/-T2	ZENER DIODE	
		D201	1SS133	DIODE		or RD15ES/B3/-T2	ZENER DIODE	
		D202	1SS133	DIODE	D5302	MTZJ6.8A	ZENER DIODE	
		D203	1SS133	DIODE		or RD6.8ES/B1/-T2	ZENER DIODE	
		D2101	MTZJ8.2C	ZENER DIODE	D5303	MTZJ27C	ZENER DIODE	
		D2201	11ES2	DIODE		or RD27ES/B3/-T2	ZENER DIODE	
			or 1A3G	DIODE,J777MS	D5304	1SS133	DIODE	
		D3001	LNB2301L01V1	LE DIODE		or 1SS270A	DIODE	
		D3002	1SS133	DIODE	D5306	MTZJ11C	ZENER DIODE	
		D3003	RD39ES/B3/-T2	ZENER DIODE		or RD11ES/B3/-T2	ZENER DIODE	
			or MTZJ39C	ZENER DIODE	D5320	NRSA02J-0R0X	MG RESISTOR	0Ω,1/10W
		D3004	11ES2	DIODE,J777MS	D6002	HZ30-2L-T2	ZENER DIODE	
			or 1A3G	DIODE,J777MS		or HZ30-2LTD	Z DIODE (M)	
		D3005	11ES2	DIODE,J777MS	D7002	RD9.1ES/B2/-T2	ZENER DIODE	
			or 1A3G	DIODE,J777MS		or UZ9.1BSB	ZENER DIODE	
△		D3006	RB721Q-40-T2	SB DIODE		or MTZJ9.1B	ZENER DIODE	
		D4001	1SS133	DIODE	D7004	1SS133	DIODE	
		D4002	1SS133	DIODE	D7009	SLR-325VC-T	LE DIODE	
		D5001	S1WB/A/60-4102	BRIDGE DIODE	D7101	1SS133	DIODE	
			or S1WB(A)60F4072X	BRIDGE DIODE	D7102	1SS133	DIODE	
			or S1WB/A/60-X	BRIDGE DIODE	R1	NRSA02J-682X	MG RESISTOR	6.8kΩ,1/10W
		D5101	AU01	FR DIODE	R2	NRSA02J-152X	MG RESISTOR	1.5kΩ,1/10W
			or ERA18-04-T2	FR DIODE	R3	NRSA02J-822X	MG RESISTOR	8.2kΩ,1/10W
			or 1SR153-400-T2	FR DIODE	R5	NRSA02J-0R0X	MG RESISTOR	0Ω,1/10W
			or 10ELS4	FR DIODE	R6	NRSA02J-273X	MG RESISTOR	27kΩ,1/10W
		D5102	AU01	FR DIODE	R7	NRSA02J-821X	MG RESISTOR	820Ω,1/10W
			or ERA18-04-T2	FR DIODE	R9	NRSA02J-101X	MG RESISTOR	100Ω,1/10W
			or 10ELS4	FR DIODE	R12	NRSA02J-101X	MG RESISTOR	100Ω,1/10W
			or 1SR153-400-T2	FR DIODE	R21	NRSA02J-0R0X	MG RESISTOR	0Ω,1/10W
		D5103	1SS133	DIODE	R22	NRSA02J-0R0X	MG RESISTOR	0Ω,1/10W
			or 1SS270A	DIODE	R46	NRSA02J-331X	MG RESISTOR	330Ω,1/10W
		D5105	1SS133	DIODE	R50	NRSA02J-102X	MG RESISTOR	1kΩ,1/10W
			or 1SS270A	DIODE	R77	NRSA02J-103X	MG RESISTOR	10kΩ,1/10W
		D5201	AK04	DIODE	R90	NRSA02J-391X	MG RESISTOR	390Ω,1/10W
			or 1S4	SB DIODE	R92	NRSA02J-152X	MG RESISTOR	1.5kΩ,1/10W
			or 11EQS04	SB DIODE	R93	NRSA02J-682X	MG RESISTOR	6.8kΩ,1/10W
		D5203	AU01Z	FR DIODE	R104	NRSA02J-222X	MG RESISTOR	2.2kΩ,1/10W
			or ERA18-02-T2	FR DIODE	R202	NRSA02J-103X	MG RESISTOR	10kΩ,1/10W
			or 1SR153-400-T2	FR DIODE	R203	NRSA02J-103X	MG RESISTOR	10kΩ,1/10W
			or 10ELS2	FR DIODE	R204	NRSA02J-103X	MG RESISTOR	10kΩ,1/10W
			or PG104RS	FR DIODE	R213	NRSA02J-222X	MG RESISTOR	2.2kΩ,1/10W
		D5204	AU01Z	FR DIODE	R216	NRSA02J-103X	MG RESISTOR	10kΩ,1/10W
			or ERA18-02-T2	FR DIODE	R220	NRSA02J-0R0X	MG RESISTOR	0Ω,1/10W
			or PG104RS	FR DIODE	R224	NRSA02J-681X	MG RESISTOR	680Ω,1/10W
			or 1SR153-400-T2	FR DIODE	R225	NRSA02J-0R0X	MG RESISTOR	0Ω,1/10W
			or 10ELS2	FR DIODE	R2001	NRSA02J-681X	MG RESISTOR	680Ω,1/10W
		D5210	AU01Z	FR DIODE	R2002	NRSA02J-272X	MG RESISTOR	2.7kΩ,1/10W
			or PG104RS	FR DIODE	R2003	NRSA02J-101X	MG RESISTOR	100Ω,1/10W
			or 1SR153-400-T2	FR DIODE	R2005	NRSA02J-0R0X	MG RESISTOR	0Ω,1/10W
			or 10ELS2	FR DIODE	R2006	NRSA02J-393X	MG RESISTOR	39kΩ,1/10W
			or ERA18-02-T2	FR DIODE	R2007	NRSA02J-393X	MG RESISTOR	39kΩ,1/10W
		D5211	AU01Z	FR DIODE	R2008	QRE141J-123Y	RESISTOR	12kΩ,1/4W
			or ERA18-02-T2	FR DIODE	R2009	NRSA02J-123X	MG RESISTOR	12kΩ,1/10W



#	△ REF No.	PART No.	PART NAME, DESCRIPTION	#	△ REF No.	PART No.	PART NAME, DESCRIPTION
R4008		NRSA02J-0R0X	MG RESISTOR 0Ω,1/10W	R7037		NRSA02J-563X	MG RESISTOR 56kΩ,1/10W
R4009		NRSA02J-102X	MG RESISTOR 1kΩ,1/10W	R7040		NRSA02J-331X	MG RESISTOR 330Ω,1/10W
R4010		NRSA02J-102X	MG RESISTOR 1kΩ,1/10W	R7121		NRSA02J-101X	MG RESISTOR 100Ω,1/10W
R4011		NRSA02J-472X	MG RESISTOR 4.7kΩ,1/10W	R7123		NRSA02J-101X	MG RESISTOR 100Ω,1/10W
R4012		NRSA02J-222X	MG RESISTOR 2.2kΩ,1/10W	R7126		NRSA02J-750X	MG RESISTOR 75Ω,1/10W
R4013		NRSA02J-102X	MG RESISTOR 1kΩ,1/10W	R7127		NRSA02J-101X	MG RESISTOR 100Ω,1/10W
R4015		NRSA02J-223X	MG RESISTOR 22kΩ,1/10W	R7128		NRSA02J-101X	MG RESISTOR 100Ω,1/10W
R4016		NRSA02J-103X	MG RESISTOR 10kΩ,1/10W	R7130		NRSA02J-750X	MG RESISTOR 75Ω,1/10W
R4017		NRSA02J-102X	MG RESISTOR 1kΩ,1/10W	R7131		NRSA02J-331X	MG RESISTOR 330Ω,1/10W
R4018		NRSA02J-102X	MG RESISTOR 1kΩ,1/10W	R7132		QRE123J-331X	RESISTOR 330Ω,1/2W
R4019		NRSA02J-103X	MG RESISTOR 10kΩ,1/10W	R7160		NRSA02J-331X	MG RESISTOR 330Ω,1/10W
R4020		NRSA02J-103X	MG RESISTOR 10kΩ,1/10W	R7161		NRSA02J-101X	MG RESISTOR 100Ω,1/10W
R4021		NRSA02J-103X	MG RESISTOR 10kΩ,1/10W	R7162		NRSA02J-331X	MG RESISTOR 330Ω,1/10W
R5101		QRE141J-224Y	RESISTOR 220kΩ,1/4W	R7163		NRSA02J-750X	MG RESISTOR 75Ω,1/10W
R5102		QRE141J-224Y	RESISTOR 220kΩ,1/4W	R7204		QRE141J-103Y	RESISTOR 10kΩ,1/4W
R5103		QRE141J-683Y	RESISTOR 68kΩ,1/4W	C1		NCB21HK-103X	CAPACITOR 0.01μF,50V
R5104		QRG02GJ-683	OMF RESISTOR 68kΩ,2W	C2		NCB21HK-103X	CAPACITOR 0.01μF,50V
R5106		QRT01DJ-R39X	MF RESISTOR 0.39Ω,1W	C3		NCB21HK-103X	CAPACITOR 0.01μF,50V
R5107		QRE121J-331Y	RESISTOR 330Ω,1/2W	C4		NCB21HK-103X	CAPACITOR 0.01μF,50V
R5108		NRSA02J-222X	MG RESISTOR 2.2kΩ,1/10W	C5		QEKJ0JM-227	E CAPACITOR 220μF,6.3V
R5109		QRE141J-681Y	RESISTOR 680Ω,1/4W	C6		NCB21EK-104X	CAPACITOR 0.1μF,25V
R5110		NRSA02J-224X	MG RESISTOR 220kΩ,1/10W	C8		NCB21HK-473X	CAPACITOR 0.047μF,50V
R5111		NRSA02J-221X	MG RESISTOR 220Ω,1/10W	C10		NDC21HJ-151X	CAPACITOR 150pF,50V
R5112		NRSA02J-221X	MG RESISTOR 220Ω,1/10W	C11		NCB21EK-104X	CAPACITOR 0.1μF,25V
R5301		QRE141J-2R2Y	RESISTOR 2.2Ω,1/4W	C12		NDC21HJ-470X	CAPACITOR 47pF,50V
R5302		NRSA02J-102X	MG RESISTOR 1kΩ,1/10W	C14		NCB21EK-104X	CAPACITOR 0.1μF,25V
R5303		NRSA02J-122X	MG RESISTOR 1.2kΩ,1/10W	C15		NCB21HK-103X	CAPACITOR 0.01μF,50V
△ R5304		QRZ9005-221X	FUSI RESISTOR 220Ω,1/4W	C16		NCB21EK-104X	CAPACITOR 0.1μF,25V
R5305		NRSA02J-471X	MG RESISTOR 470Ω,1/10W	C17		QEKJ1HM-335	E CAPACITOR 3.3μF,50V
R5306		NRSA02J-563X	MG RESISTOR 56kΩ,1/10W	C19		QEKJ1HM-225	E CAPACITOR 2.2μF,50V
R5319		NRSA02J-221X	MG RESISTOR 220Ω,1/10W	C20		QEQF1HM-105	NP E CAPACITOR 1μF,50V
R5327		NRSA02J-303X	MG RESISTOR 30kΩ,1/10W	C21		NCB21EK-104X	CAPACITOR 0.1μF,25V
R6030		NRSA02J-102X	MG RESISTOR 1kΩ,1/10W	C22		QEKJ0JM-107	E CAPACITOR 100μF,6.3V
R6031		NRSA02J-271X	MG RESISTOR 270Ω,1/10W	C23		NCB21EK-104X	CAPACITOR 0.1μF,25V
R6032		NRSA02J-0R0X	MG RESISTOR,J777MS 0Ω,1/10W	C24		NCB21EK-104X	CAPACITOR 0.1μF,25V
		NRSA02J-222X	MG RESISTOR,J677MS 2.2kΩ,1/10W	C25		NDC21HJ-6R0X	CAPACITOR 6pF,50V
R6033		NRSA02J-182X	MG RESISTOR,J677MS 1.8kΩ,1/10W	C27		NCB21HK-223X	CAPACITOR 0.022μF,50V
R6050		QRE141J-101Y	RESISTOR 100Ω,1/4W	C28		QEKJ1HM-335	E CAPACITOR 3.3μF,50V
R6051		NRSA02J-101X	MG RESISTOR 100Ω,1/10W	C29		NCB21EK-333X	CAPACITOR 0.033μF,25V
R6052		NRSA02J-101X	MG RESISTOR 100Ω,1/10W	C30		QEKJ1HM-474	E CAPACITOR 0.47μF,50V
R7001		NRSA02J-471X	MG RESISTOR 470Ω,1/10W	C31		QEKJ0JM-476	E CAPACITOR 47μF,6.3V
R7002		NRSA02J-471X	MG RESISTOR 470Ω,1/10W	C32		NCB21EK-104X	CAPACITOR 0.1μF,25V
R7003		NRSA02J-471X	MG RESISTOR 470Ω,1/10W	C33		QEKJ1HM-225	E CAPACITOR 2.2μF,50V
R7004		QRE141J-471Y	RESISTOR 470Ω,1/4W	C34		NCB21EK-224X	CAPACITOR 0.22μF,25V
R7005		QRE141J-103Y	RESISTOR 10kΩ,1/4W	C35		QDYB1CM-103Y	CAPACITOR 0.01μF,16V
R7006		NRSA02J-103X	MG RESISTOR 10kΩ,1/10W	C36		QERF1EM-475	E CAPACITOR 4.7μF,25V
R7007		NRSA02J-103X	MG RESISTOR 10kΩ,1/10W	C37		QEKJ1HM-105	E CAPACITOR 1μF,50V
R7008		NRSA02J-103X	MG RESISTOR 10kΩ,1/10W	C38		QEKJ0JM-476	E CAPACITOR 47μF,6.3V
R7013		NRSA02J-103X	MG RESISTOR 10kΩ,1/10W	C39		NCB21EK-104X	CAPACITOR 0.1μF,25V
R7017		QRE141J-103Y	RESISTOR 10kΩ,1/4W	C40		QEKJ1CM-106	E CAPACITOR 10μF,16V
R7020		NRSA02J-103X	MG RESISTOR 10kΩ,1/10W	C51		QEKJ1HM-105	E CAPACITOR 1μF,50V
R7021		NRSA02J-122X	MG RESISTOR 1.2kΩ,1/10W	C52		QEKJ1HM-105	E CAPACITOR 1μF,50V
R7022		NRSA02J-182X	MG RESISTOR 1.8kΩ,1/10W	C53		NRSA02J-0R0X	MG RESISTOR 0Ω,1/10W
R7023		NRSA02J-222X	MG RESISTOR 2.2kΩ,1/10W	C62		NCB21EK-104X	CAPACITOR 0.1μF,25V
R7024		NRSA02J-272X	MG RESISTOR 2.7kΩ,1/10W	C64		NDC21HJ-220X	CAPACITOR 22pF,50V
R7025		NRSA02J-472X	MG RESISTOR 4.7kΩ,1/10W	C65		QEKJ1HM-105	E CAPACITOR 1μF,50V
R7030		NRSA02J-103X	MG RESISTOR 10kΩ,1/10W	C69		NCB21HK-103X	CAPACITOR 0.01μF,50V
R7031		NRSA02J-122X	MG RESISTOR 1.2kΩ,1/10W	C70		NCB21HK-103X	CAPACITOR 0.01μF,50V
R7032		NRSA02J-182X	MG RESISTOR 1.8kΩ,1/10W	C81		NCB21HK-103X	CAPACITOR 0.01μF,50V
R7033		NRSA02J-222X	MG RESISTOR 2.2kΩ,1/10W	C94		NRSA02J-0R0X	MG RESISTOR 0Ω,1/10W
R7034		NRSA02J-0R0X	MG RESISTOR 0Ω,1/10W	C106		NCB21HK-821X	CAPACITOR 820pF,50V

#	△	REF No.	PART No.	PART NAME, DESCRIPTION	#	△	REF No.	PART No.	PART NAME, DESCRIPTION
C108			NDC21HJ-680X	CAPACITOR	C2228			NCB21CK-104X	CAPACITOR
C109			NCB21CK-224X	CAPACITOR	C2251			QEK1CM-476	E CAPACITOR
C110			NDC21HJ-820X	CAPACITOR	C2252			QCB1HK-103	CAPACITOR
C112			NDC21HJ-120X	CAPACITOR	C2253			NCB21CK-104X	CAPACITOR
C113			NDC21HJ-181X	CAPACITOR	C2254			NCB21CK-104X	CAPACITOR
C114			NDC21HJ-181X	CAPACITOR	C2255			NDC21HJ-181X	CAPACITOR
C204			NCB21EK-103X	CAPACITOR	C3001			NCB21EK-104X	CAPACITOR
C206			NDC21HJ-330X	CAPACITOR	C3002			NCB21HK-103X	CAPACITOR
C207			NDC21HJ-330X	CAPACITOR	C3003			QEK1HM-106	E CAPACITOR
C209			NCB21CK-474X	CAPACITOR	C3004			NCB21CK-473X	CAPACITOR
C210			NDC21HJ-470X	CAPACITOR	C3011			QETL0JM-338	E CAPACITOR
C211			NDC21HJ-470X	CAPACITOR	C3012			QEKJ0JM-476	E CAPACITOR
C214			NCB21CK-224X	CAPACITOR	C3013			NCB21HK-103X	CAPACITOR
C217			NDC21HJ-560X	CAPACITOR	C3014			QERF0JM-476	E CAPACITOR
C218			NCB21AK-105X	CAPACITOR	C3016			NCB21CK-473X	CAPACITOR
C222			QERF1HM-105	E CAPACITOR	C3022			NCB21CK-473X	CAPACITOR
C226			QERF0JM-107	E CAPACITOR	C3024			NDC21HJ-120X	CAPACITOR
C2001			QEKJ1EM-475	E CAPACITOR	C3025			QAT7001-300Z	TRIM CAPACITOR,TIMER CLOCK
C2002			QEKJ1CM-106	E CAPACITOR	C3026			NCB21HK-103X	CAPACITOR
C2003			QEKJ1CM-476	E CAPACITOR	C3027			QEKJ1CM-106	E CAPACITOR
C2005			QEKJ1EM-475	E CAPACITOR	C3030			QEKJ0JM-476	E CAPACITOR
C2006			NCB21HK-123X	CAPACITOR	C3031			NCB21CK-473X	CAPACITOR
C2007			QEKJ1CM-226	E CAPACITOR	C3032			NCB21CK-473X	CAPACITOR
C2008			QEKJ1EM-475	E CAPACITOR	C3033			NCB21CK-473X	CAPACITOR
C2009			NCB21HK-102X	CAPACITOR	C3036			NDC21HJ-180X	CAPACITOR
C2010			NCB21HK-152X	CAPACITOR	C3037			NDC21HJ-120X	CAPACITOR
C2011			QEKJ1EM-475	E CAPACITOR	C3040			NCB21CK-473X	CAPACITOR
C2012			QEK1EM-475	E CAPACITOR	C3045			NDC21HJ-101X	CAPACITOR
C2013			NCB21HK-331X	CAPACITOR	C4001			QERF0JM-476	E CAPACITOR
C2051			NCB21HK-331X	CAPACITOR	C4002			QDYB1CM-103Y	CAPACITOR
C2052			QFLC1HJ-823Z	F CAPACITOR	C4003			NCB21HK-102X	CAPACITOR
C2053			NCB21HK-472X	CAPACITOR	C4004			QERF1CM-226	E CAPACITOR
C2054			NCB21HK-223X	CAPACITOR	C4005			NCB21HK-222X	CAPACITOR
C2055			QEKJ1CM-106	E CAPACITOR	C4006			QEKJ0JM-476	E CAPACITOR
C2201			NCB21CK-104X	CAPACITOR	C4008			QEQF1HM-105	NP E CAPACITOR
C2202			NCB21EK-333X	CAPACITOR	C4009			NCB21HK-563X	CAPACITOR
C2203			QEKJ1CM-106	E CAPACITOR	C4010			NCB21EK-223X	CAPACITOR
C2204			NCB21HK-102X	CAPACITOR	C4011			NCB21CK-104X	CAPACITOR
C2205			QEKJ1HM-105	E CAPACITOR	C4012			QEKJ1HM-224	E CAPACITOR
C2206			QEKJ1CM-106	E CAPACITOR	C4013			NCB21HK-563X	CAPACITOR
C2207			QEKJ1CM-476	E CAPACITOR	C4014			NDC21HJ-101X	CAPACITOR
C2208			QEKJ1EM-475	E CAPACITOR	C4015			NCB21HJ-102X	CAPACITOR
C2209			QEKJ1HM-104	E CAPACITOR	C4016			NDC21HJ-101X	CAPACITOR
C2210			QEKJ1HM-104	E CAPACITOR	△ C5001			QFZ9073-683	F CAPACITOR
C2211			QEKJ1HM-474	E CAPACITOR	△ C5005			QCZ9071-222	CAPACITOR
C2212			QEKJ1HM-474	E CAPACITOR	C5006			QEZ0374-826	E CAPACITOR
C2213			QEKJ1CM-106	E CAPACITOR	C5101			QCZ0212-472	CAPACITOR
C2214			QEKJ1CM-106	E CAPACITOR	C5102			QCZ0302-330Z	CAPACITOR
C2215			QEKJ1EM-475	E CAPACITOR	C5104			QETC1HM-105	E CAPACITOR
C2216			QEKJ1HM-474	E CAPACITOR	C5105			QFLC1HJ-183Z	F CAPACITOR
C2217			QEKJ1CM-106	E CAPACITOR	C5106			QCB1HJ-271	CAPACITOR
C2218			QEKJ1HM-474	E CAPACITOR	C5107			QFV91HJ-104	F CAPACITOR
C2219			QEKJ1CM-106	E CAPACITOR	C5201			QEMU0JM-227	E CAPACITOR
C2220			QEKJ1EM-475	E CAPACITOR	C5202			QEMT1CM-827	E CAPACITOR
C2221			NCB21HK-103X	CAPACITOR	C5203			QEMT1AM-128	E CAPACITOR
C2222			QEKJ1HM-474	E CAPACITOR	C5204			QETN2AM-475	E CAPACITOR
C2223			QEKJ1HM-474	E CAPACITOR	C5205			QETN1HM-106	E CAPACITOR
C2224			NCB21HK-103X	CAPACITOR	C5207			QETN1CM-227	E CAPACITOR
C2225			QEKJ1EM-475	E CAPACITOR	C5208			QETN1AM-227	E CAPACITOR
C2226			QEKJ1CM-106	E CAPACITOR	C5301			QEMU0JM-227	E CAPACITOR
C2227			NCB21CK-104X	CAPACITOR	C5303			QETN1CM-107	E CAPACITOR
									0.1μF,16V
									47μF,16V
									0.01μF,50V
									0.1μF,16V
									0.1μF,16V
									180pF,50V
									0.1μF,25V
									0.01μF,50V
									33pF,50V
									10μF,50V
									0.047μF,16V
									3300μF,6.3V
									47μF,6.3V
									0.01μF,50V
									47μF,6.3V
									0.047μF,16V
									0.047μF,16V
									12pF,50V
									TRIM CAPACITOR,TIMER CLOCK
									0.01μF,50V
									10μF,16V
									47μF,6.3V
									0.047μF,16V
									0.047μF,16V
									0.047μF,16V
									18pF,50V
									12pF,50V
									0.047μF,16V
									100pF,50V
									47μF,6.3V
									0.01μF,16V
									0.001μF,50V
									22μF,16V
									0.0022μF,50V
									47μF,6.3V
									1μF,50V
									0.056μF,50V
									0.022μF,25V
									0.1μF,16V
									0.22μF,50V
									0.056μF,50V
									100pF,50V
									0.001μF,50V
									100pF,50V
									0.068μF,250V
									0.0022μF,250V
									82μF,400V
									0.0047μF,1kV
									33pF,1kV
									1μF,50V
									0.018μF,50V
									270pF,50V
									0.1μF,50V
									220μF,6.3V
									820μF,16V
									1200μF,10V
									4.7μF,100V
									10μF,50V
									220μF,16V
									220μF,10V
									220μF,6.3V
									100μF,16V

#	△ REF No.	PART No.	PART NAME, DESCRIPTION
C5304		QFLC1HJ-563Z	F CAPACITOR 0.056μF,50V
C5305		NCB21HK-103X	CAPACITOR 0.01μF,50V
C5306		QETN1AM-107	E CAPACITOR 100μF,10V
C5307		QETN1EM-476	E CAPACITOR 47μF,25V
C6007		QETN1AM-477	E CAPACITOR 470μF,10V
C6012		QETJ1CM-107	E CAPACITOR 100μF,16V
C6013		NCB21HK-103X	CAPACITOR 0.01μF,50V
C6020		NDC21HJ-101X	CAPACITOR,J677MS 100pF,50V
C6021		NDC21HJ-101X	CAPACITOR,J677MS 100pF,50V
C6022		NDC21HJ-101X	CAPACITOR,J677MS 100pF,50V
C6032		NCB21EK-473X	CAPACITOR,J677MS 0.047μF,25V
C6037		QEKJ1HM-106	E CAPACITOR 10μF,50V
C6055		NDC21HJ-220X	CAPACITOR 22pF,50V
C7001		QDGB1HK-102Y	CAPACITOR 0.001μF,50V
C7007		QEKJ0JM-476	E CAPACITOR 47μF,6.3V
C7008		NCB21EK-223X	CAPACITOR 0.022μF,25V
C7009		NDC21HJ-220X	CAPACITOR 22pF,50V
C7010		NCB21EK-104X	CAPACITOR 0.1μF,25V
C7011		QEKJ0JM-476	E CAPACITOR 47μF,6.3V
C7013		NCB21HK-103X	CAPACITOR 0.01μF,50V
C7014		NCB21HK-103X	CAPACITOR 0.01μF,50V
C7118		QETN0JM-477	E CAPACITOR 470μF,6.3V
C7128		QEKJ1CM-107	E CAPACITOR 100μF,16V
C7129		NCB21EK-104X	CAPACITOR 0.1μF,25V
L1		QQL29BJ-100Z	COIL 10μH
L2		QQL29BJ-101Z	COIL 100μH
L3		QQL29BJ-100Z	COIL 10μH
L4		QQL29BJ-100Z	COIL 10μH
L5		QQL29BJ-100Z	COIL 10μH
L11		QQL01BJ-120Z	COIL 12μH
L13		QQL071J-330Y	COIL 33μH
L24		QQL071J-270Y	COIL 27μH
L27		QQL071J-330Y	COIL 33μH
L28		QQL071J-680Y	COIL 68μH
L201		QQL29BK-1R0Z	COIL 1μH
L203		QQL29BJ-220Z	COIL 22μH
L206		QQL071J-220Y	COIL 22μH
L2251		QQL29BJ-100Z	COIL 10μH
L2252		QQL29BJ-151Z	COIL 150μH
L5201		PELN1184	COIL 33μH
L5202		PELN1184	COIL 33μH
L6001		QQL29BJ-100Z	COIL 10μH
L6003		QQL29BJ-470Z	COIL 47μH
X1		QAX0576-001Z	CRYSTAL RESONATOR
X2		QAX0575-001Z	CRYSTAL RESONATOR
X3001		QAX0445-001	CRYSTAL RESONATOR
X3002		QAX0527-001	CRYSTAL RESONATOR
S3001		QSW0602-004	PUSH SWITCH,REC SAFETY
S7001		QSW0456-002Z	TACT SWITCH,POWER
S7002		QSW0456-002Z	TACT SWITCH,C.SYSTEM
S7004		QSW0456-002Z	TACT SWITCH,CH-
S7006		QSW0456-002Z	TACT SWITCH,CH+
S7008		QSW0456-002Z	TACT SWITCH,SP/LP/EP
S7010		QSW0456-002Z	TACT SWITCH,DISPLAY
S7011		QSW0456-002Z	TACT SWITCH,REC
S7013		QSW0456-002Z	TACT SWITCH,STOP/EJECT
S7015		QSW0456-002Z	TACT SWITCH,PAUSE
S7016		QSW0456-002Z	TACT SWITCH,REC LINK
K2251		NRSA02J-0R0X	MG RESISTOR 0Ω,1/10W
K2252		NRSA02J-0R0X	MG RESISTOR 0Ω,1/10W
K2253		NRSA02J-0R0X	MG RESISTOR 0Ω,1/10W

#	△ REF No.	PART No.	PART NAME, DESCRIPTION
K5101		QQR0678-001Z	FERRITE BEAD
PC3001		GP3S123	IC(PHOTO SENSOR)
PC3002		GP3S123	IC(PHOTO SENSOR)
△ PC5101		PC123F2	PH COUPLER
T2051		PELN0832	OSC TRANSFORMER
△ T5001		QQS0030-002	SW TRANSFORMER
△ TB1		LP20316-007B	TERMINAL BOARD
TU6001		QAU0111-001	TUNER,J777MS
		QAU0150-002	TUNER,J677MS
DI7001		QLF0032-001	FL TUBE
HD1		LP30188-001A	HOLDER,DI7001
SD1		LP30644-001A	SHIELD CASE(PRE)
OT2		QYTDST3006Z	SCREW,Q5101
ET1		PQ21623-2-5	EARTH PLATE(RF)
△ HS1		LP40090-001A	HEAT SINK,Q5101
FC5001		QNG0006-001Z	FUSE CLIP
FC5002		QNG0006-001Z	FUSE CLIP
J7103		QNN0286-002	PIN JACK,REAR OUT
J7104		QNN0285-002	PIN JACK,REAR IN
J7105		QNN0288-002	PIN JACK,FRONT IN
△ LF5002		QQR0532-001	LINE FILTER
CN1		QGF1028C1-11	FPC CONNECTOR,(1-11)U.DRUM
CN2001		QGF1207C1-07	FPC CONNECTOR,(1-7)A/C HEAD
CN2002		QGB2532J1-02	CONNECTOR,(1-2)FE HEAD
CN3001		QGF1207C1-05	FPC CONNECTOR,(1-5)DRUM MDA
CN3002		QGB2532J1-02	CONNECTOR,(1-2)LOADING MOTOR
CN3003		QGB2015M2-08	CONNECTOR,(1-8)CAPSTAN MOTOR
CN3004		QGB2534J2-04	CONNECTOR,(1-4)ROTARY ENCODER
CN3005		QGD2503C1-02	CONNECTOR,(1-2)LT.BATTERY
△ CN5001		QGA7901C3-02	CONNECTOR,(1-2)AC IN
CN7003		QGF1207C1-09	FPC CONNECTOR,(1-9)FRONT
△ CP4001		ICP-N25	CIRCUIT PROTECTOR
△ CP5301		ICP-N38	CIRCUIT PROTECTOR
△ CP5302		ICP-N25	CIRCUIT PROTECTOR
△ F5001		QMF51E2-2R0J1	FUSE T2.0A,AC250V

\*\*\*\*\*

### AUDIO CONTROL HEAD BOARD ASSEMBLY <12>

PW1	LPA10010-01A1	A/C HEAD BOARD ASSY
CN1	QGF1208F1-07	FPC CONNECTOR

\*\*\*\*\*

### DEMOM BOARD ASSEMBLY(HR-J777MS) <14>

PW1	LPA10094-03A	DEMOM BOARD ASSY
IC6701	MSP34VCDT	IC
Q6701	2SC3936/BC/-X	TRANSISTOR
D6701	1SS133	DIODE
	or 1N4148M	DIODE
R6701	NRSA02J-392X	MG RESISTOR 3.9kΩ,1/10W
R6702	NRSA02J-682X	MG RESISTOR 6.8kΩ,1/10W



#	△ REF No.	PART No.	PART NAME, DESCRIPTION	
R6703		NRSA02J-470X	MG RESISTOR	47Ω,1/10W
R6704		NRSA02J-102X	MG RESISTOR	1kΩ,1/10W
R6705		NRSA02J-101X	MG RESISTOR	100Ω,1/10W
R6707		NRSA02J-470X	MG RESISTOR	47Ω,1/10W
R6708		NRSA02J-101X	MG RESISTOR	100Ω,1/10W
R6709		NRSA02J-101X	MG RESISTOR	100Ω,1/10W
R6710		NRSA02J-120X	MG RESISTOR	12Ω,1/10W
R6711		NRSA02J-684X	MG RESISTOR	680kΩ,1/10W
R6712		NRSA02J-102X	MG RESISTOR	1kΩ,1/10W
R6714		NRSA02J-102X	MG RESISTOR	1kΩ,1/10W
R6716		NRSA02J-470X	MG RESISTOR	47Ω,1/10W
R6719		QRE141J-103Y	RESISTOR	10kΩ,1/4W
R6720		NRSA02J-562X	MG RESISTOR	5.6kΩ,1/10W
R6721		NRSA02J-562X	MG RESISTOR	5.6kΩ,1/10W
C6701		NCB21HK-103X	CAPACITOR	0.01μF,50V
C6702		NCB21HK-222X	CAPACITOR	0.0022μF,50V
C6703		NDC21HJ-221X	CAPACITOR	220pF,50V
C6704		NCB21HK-103X	CAPACITOR	0.01μF,50V
C6707		NDC21HJ-470X	CAPACITOR	47pF,50V
C6708		NDC21HJ-8R0X	CAPACITOR	8pF,50V
C6709		NDC21HJ-1R0X	CAPACITOR	1pF,50V
C6713		NCF21CZ-224X	CAPACITOR	0.22μF,16V
C6714		NCB21HK-682X	CAPACITOR	0.0068μF,50V
C6715		QEKJ1HM-225	E CAPACITOR	2.2μF,50V
C6716		NCB21HK-682X	CAPACITOR	0.0068μF,50V
C6717		QEKJ1HM-225	E CAPACITOR	2.2μF,50V
C6719		QEKJ1CM-106	E CAPACITOR	10μF,16V
C6720		QEKJ1CM-106	E CAPACITOR	10μF,16V
C6721		NCB21HK-103X	CAPACITOR	0.01μF,50V
C6723		NCB21HK-103X	CAPACITOR	0.01μF,50V
L6701		QQL231J-1R0Y	COIL	1μH
L6702		QQL231J-3R3Y	COIL	3.3μH
X6701		QAX0443-001	CRYSTAL RESONATOR	
K6701		NQR0200-003X	FERRITE BEAD	
K6702		NQR0200-003X	FERRITE BEAD	
K6703		NQR0200-003X	FERRITE BEAD	
K6704		NQR0200-003X	FERRITE BEAD	
K6705		NQR0200-003X	FERRITE BEAD	
K6706		NQR0200-003X	FERRITE BEAD	
BK1		LP40077-001A	BRACKET(BOARD)	
CN6701		QGG2502K1-10	HEADER PIN	

\*\*\*\*\*

**MINI FRONT BOARD ASSEMBLY(HR-J271MS/J471MS)<28>**

PW6	LPA10088-01C6	MINI FRONT BOARD ASSY	
R7043	QRE141J-272Y	RESISTOR	2.7kΩ,1/4W
R7044	QRE141J-472Y	RESISTOR	4.7kΩ,1/4W
R7045	QRE141J-682Y	RESISTOR	6.8kΩ,1/4W
S7021	QSW0456-002Z	TACT SWITCH,REW	
S7022	QSW0456-002Z	TACT SWITCH,FF	
S7023	QSW0456-002Z	TACT SWITCH,PLAY	
CN7002	QGF1208C1-09	FPC CONNECTOR,(1-9)MAIN	

#	△ REF No.	PART No.	PART NAME, DESCRIPTION
*****			

**MINI OPE BOARD ASSEMBLY(HR-J677MS/J777MS)<28>**

PW2	LPA10086-02D2	MINI OPE BOARD ASSY	
R7043	QRE141J-272Y	RESISTOR	2.7kΩ,1/4W
R7044	QRE141J-472Y	RESISTOR	4.7kΩ,1/4W
R7045	QRE141J-682Y	RESISTOR	6.8kΩ,1/4W
S7021	QSW0456-002Z	TACT SWITCH,REW	
S7022	QSW0456-002Z	TACT SWITCH,FF	
S7023	QSW0456-002Z	TACT SWITCH,PLAY	
CN7005	QGF1208C1-09	FPC CONNECTOR,(1-9)MAIN	

\*\*\*\*\*

**LOADING MOTOR BOARD ASSEMBLY <55>**

PW2	LPA10010-01A2	LOADING MOTOR BOARD ASSY	
CN1	QGB2533K1-02	CONNECTOR	

\*\*\*\*\*

**R.PAUSE BOARD ASSEMBLY(HR-J677MS/J777MS)<91>**

PW3	LPA10086-01D3	R.PAUSE BOARD ASSY	
R7166	NRSA02J-101X	MG RESISTOR	100Ω,1/10W
J7107	PU60612	MINI JACK	
CN7104	QUM022-18A4A4	PARA RIBON WIRE	

\*\*\*\*\*

**LT.BATTERY BOARD ASSEMBLY(HR-J271MS/J471MS)<93>**

PW4	LPA10088-01A4	LT.BATTERY BOARD ASSY	
BT3001	QNZ0032-001	BATTERY HOLDER	

\*\*\*\*\*

**LT.BATTERY BOARD ASSEMBLY(HR-J677MS/J777MS)<93>**

PW4	LPA10086-16B4	LT.BATTERY BOARD ASSY	
HD1	QNZ0032-001	BATTERY HOLDER	
FW7006	QUM022-15A4BF	PARA RIBON WIRE	